

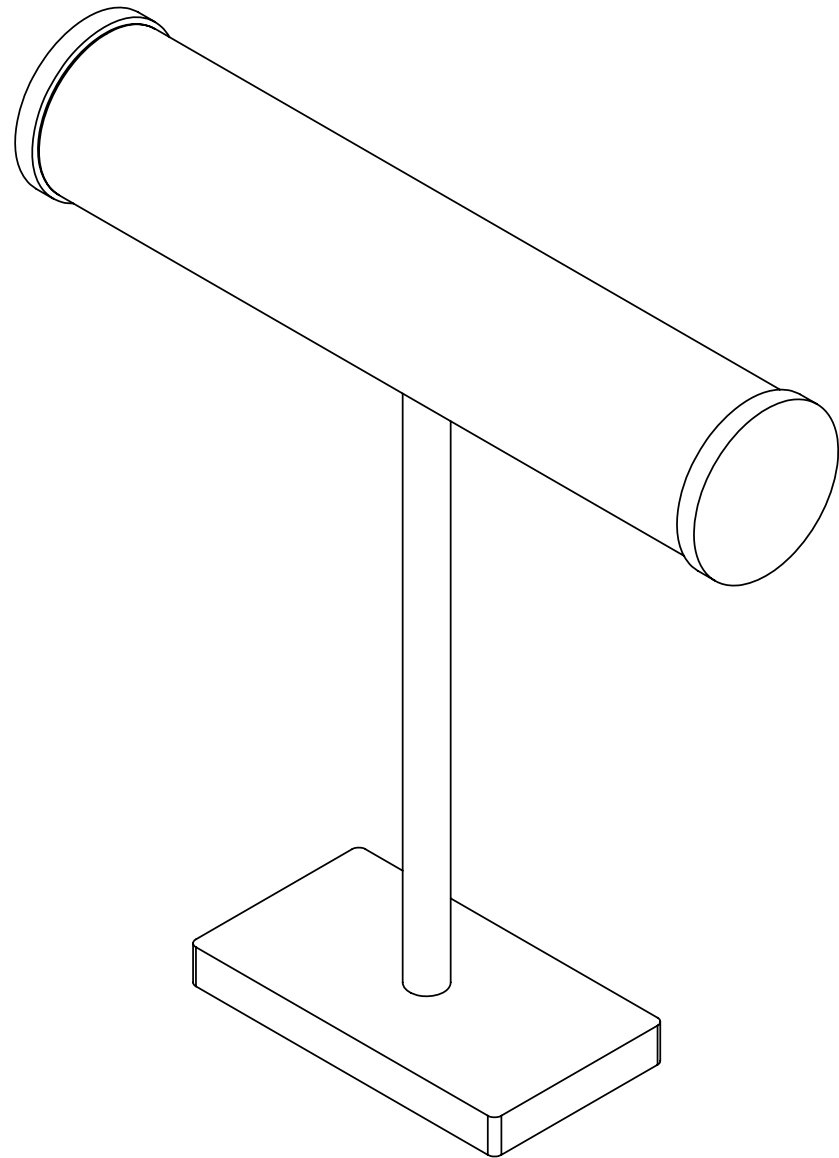
bronzed
OAK

JEWELRY LINE BY G+B

Necklace T-Bar Display //
075-BD-T

Made of an oak laminate and a bronze metal finish it features a 2" diameter fabric covered T-bar to display and protect your jewelry. The bracelet T-bar measures

10" W X 2-1/2" D X 10-3/8" T



STEP 1:

