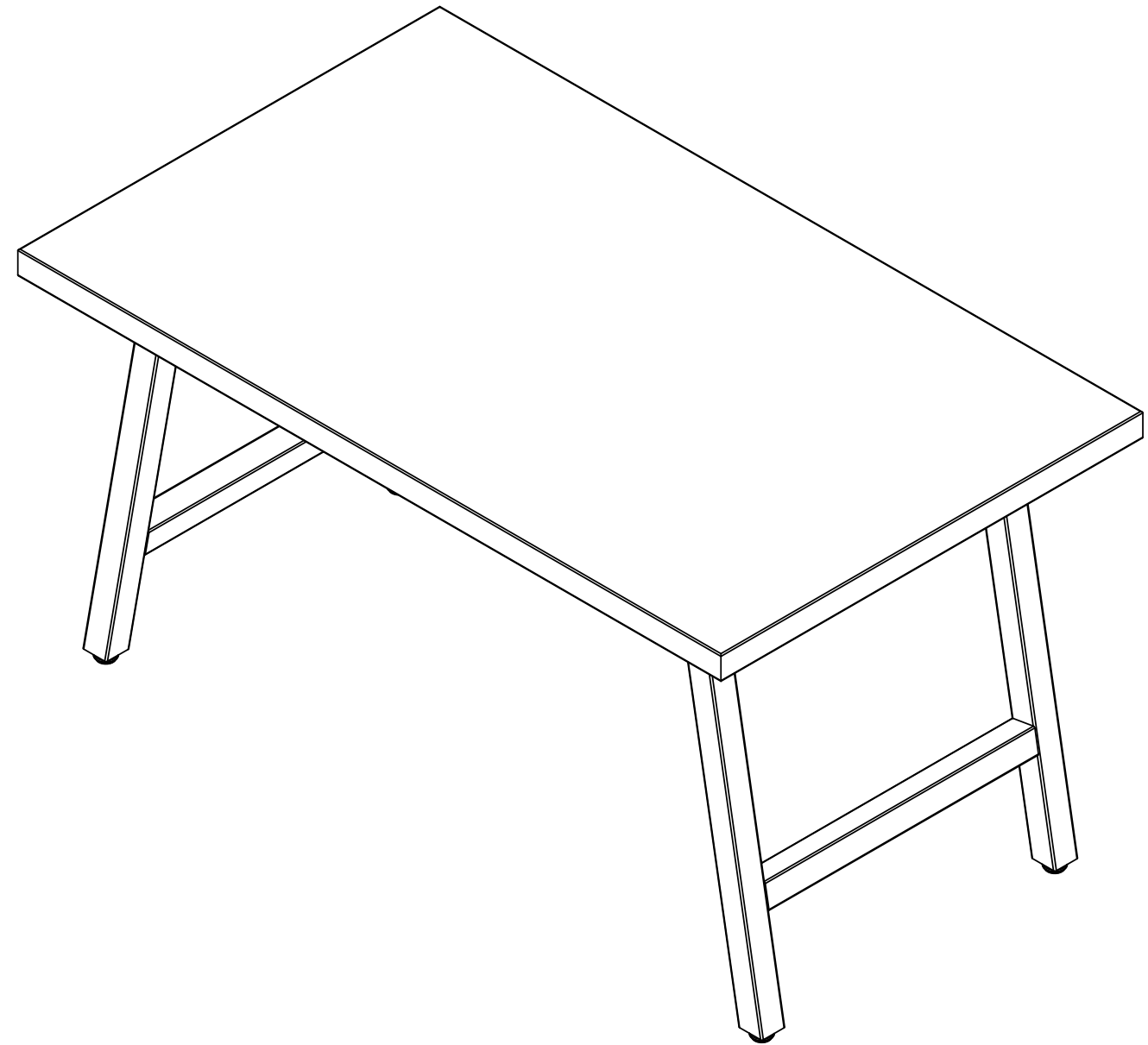
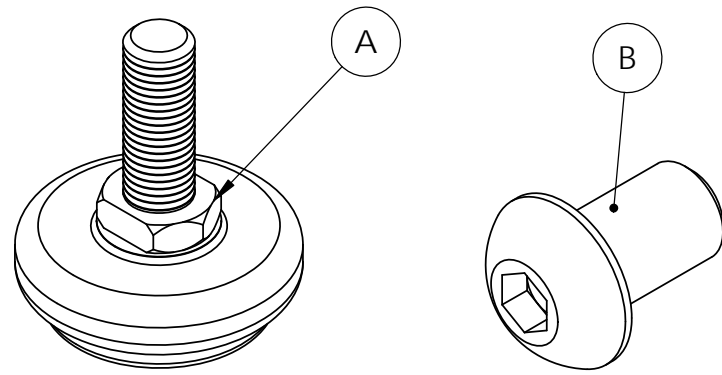


ASSEMBLY INSTRUCTIONS - 289 - SH - FT - B - (SAW HORSE FEATURE TABLE - BLACK)



HARDWARE LIST:

	DESCRIPTION	QTY.
A	THREADED LEVELER (3/8"- 16 TPI)	4
B	SBHC SCREW 3/8-16 X 0.625"	8

ASSEMBLY INSTRUCTIONS - 289 - SH - FT - B - (SAW HORSE FEATURE TABLE - BLACK)

STEP1:

