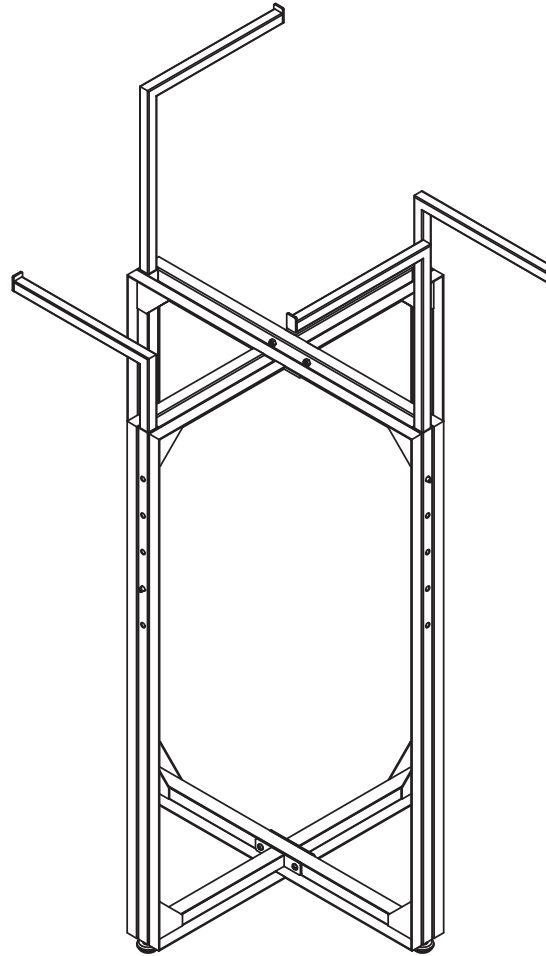
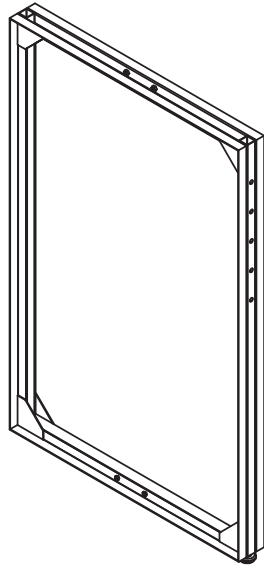


**ASTORIA**  
ASSEMBLY INSTRUCTIONS

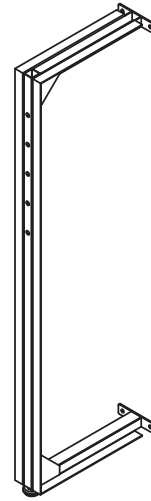
**4-WAY STAND :: 257-FF-4WS**



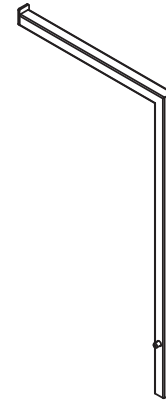
PART LIST:



1X. MAIN FRAME



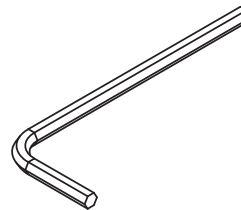
2X. HALF FRAME



1X. ADJUSTABLE ARM

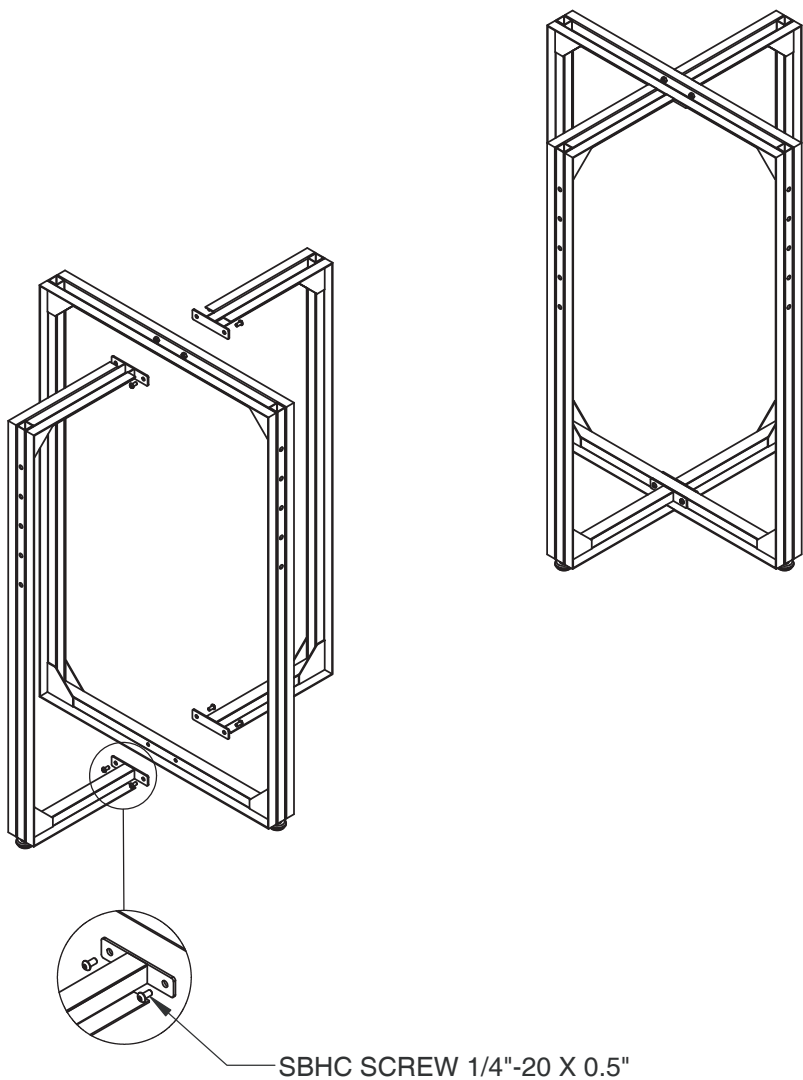


8X. SBHC SCREW 1/4"-20 X 0.5"



1X. L-KEY FOR 1/4"-20

STEP 1:



STEP 2:

