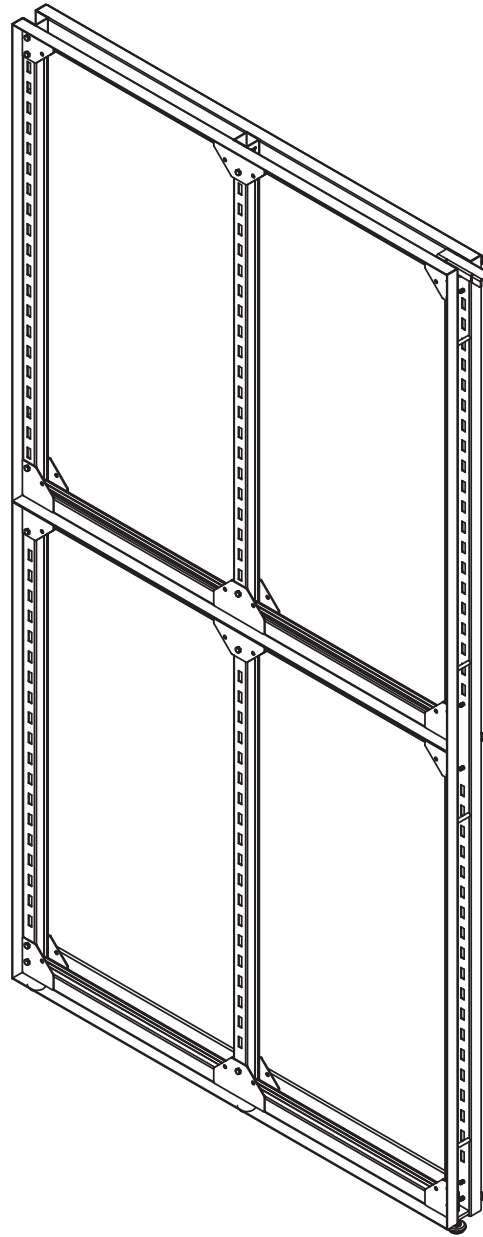


ASTORIA
ASSEMBLY INSTRUCTIONS

4FT WALL :: 257-W-4



PART LIST:



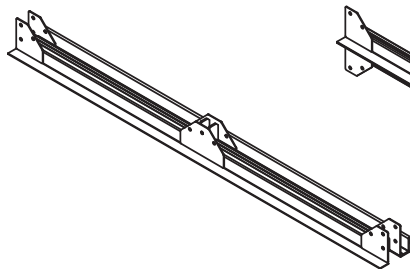
1X. LEFT UPRIGHT
W/LEVELER



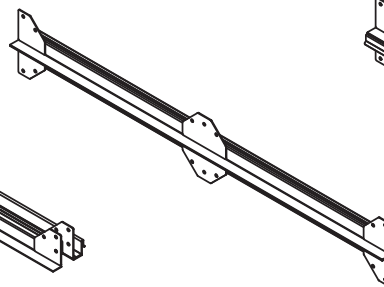
1X. RIGHT UPRIGHT
W/LEVELER



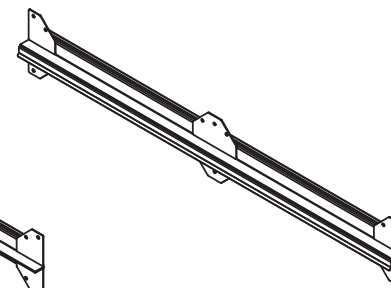
1X. CENTER
UPRIGHT



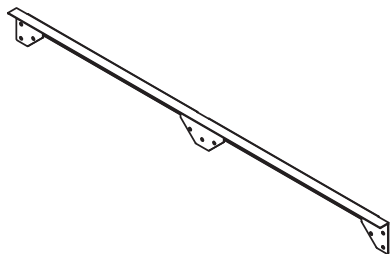
1X. BOTTOM RAIL
W/LEVELER



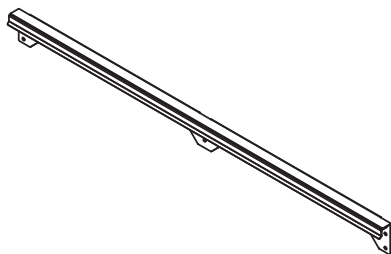
1X. CENTER RAIL A



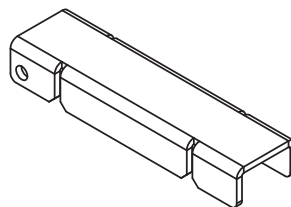
1X. CENTER RAIL B



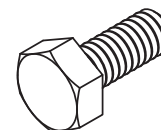
1X. TOP RAIL A



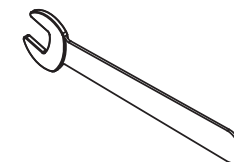
1X. TOP RAIL B



1X. BRACKET

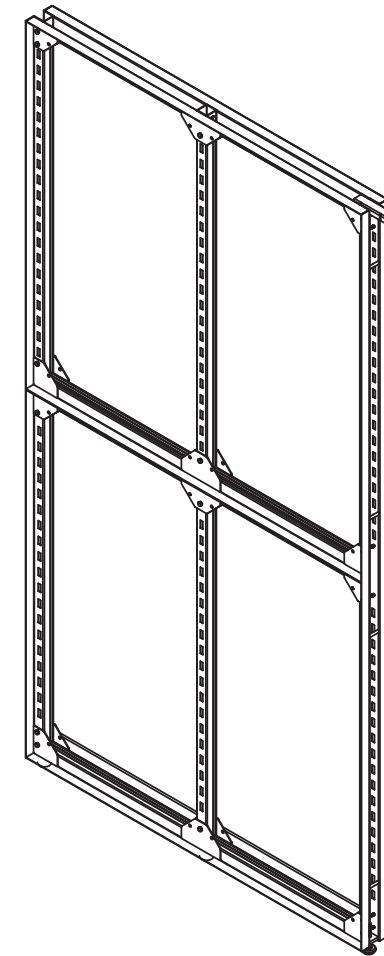
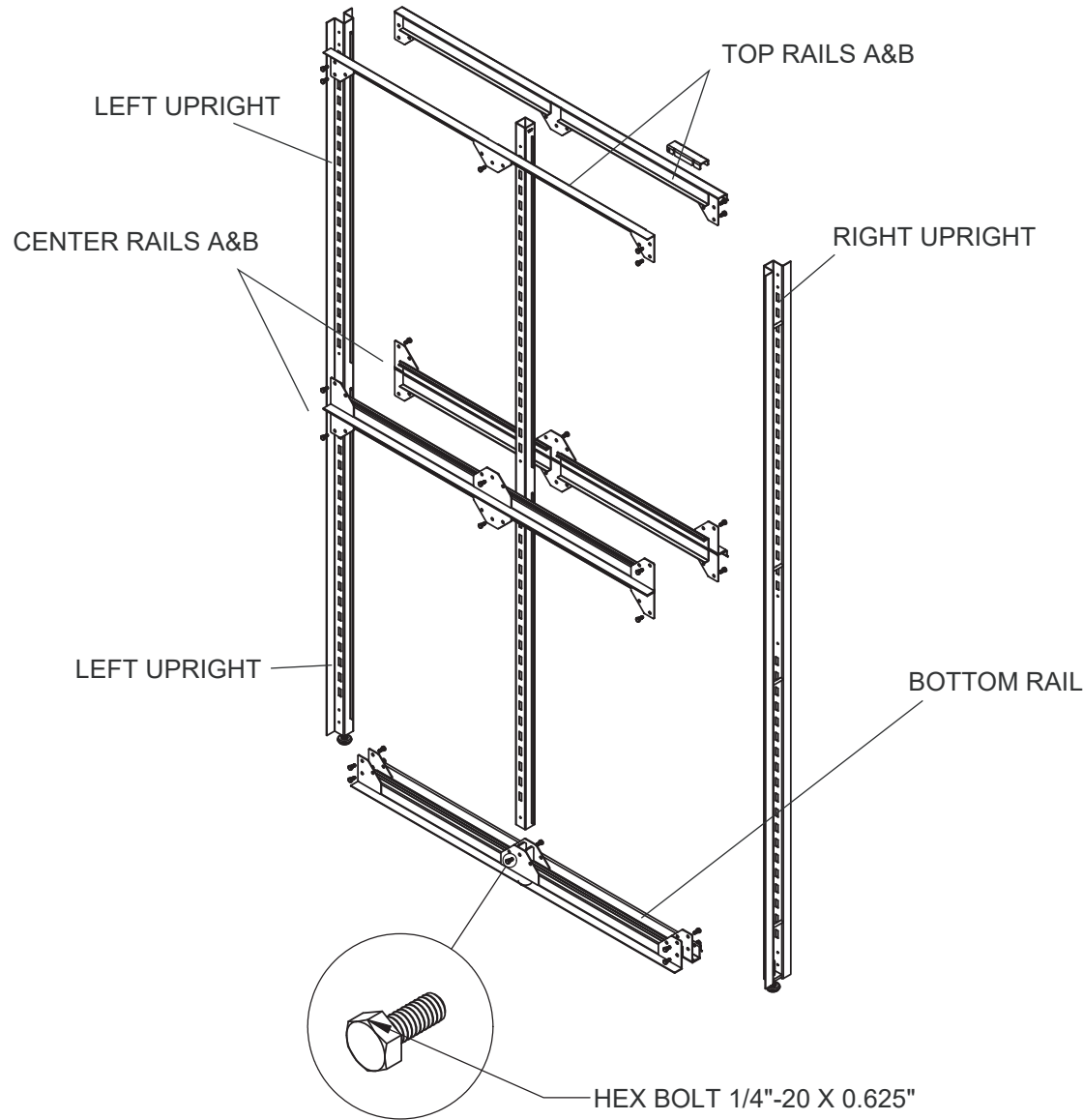


32X. HEX BOLT
1/4"-20 X 0.625"



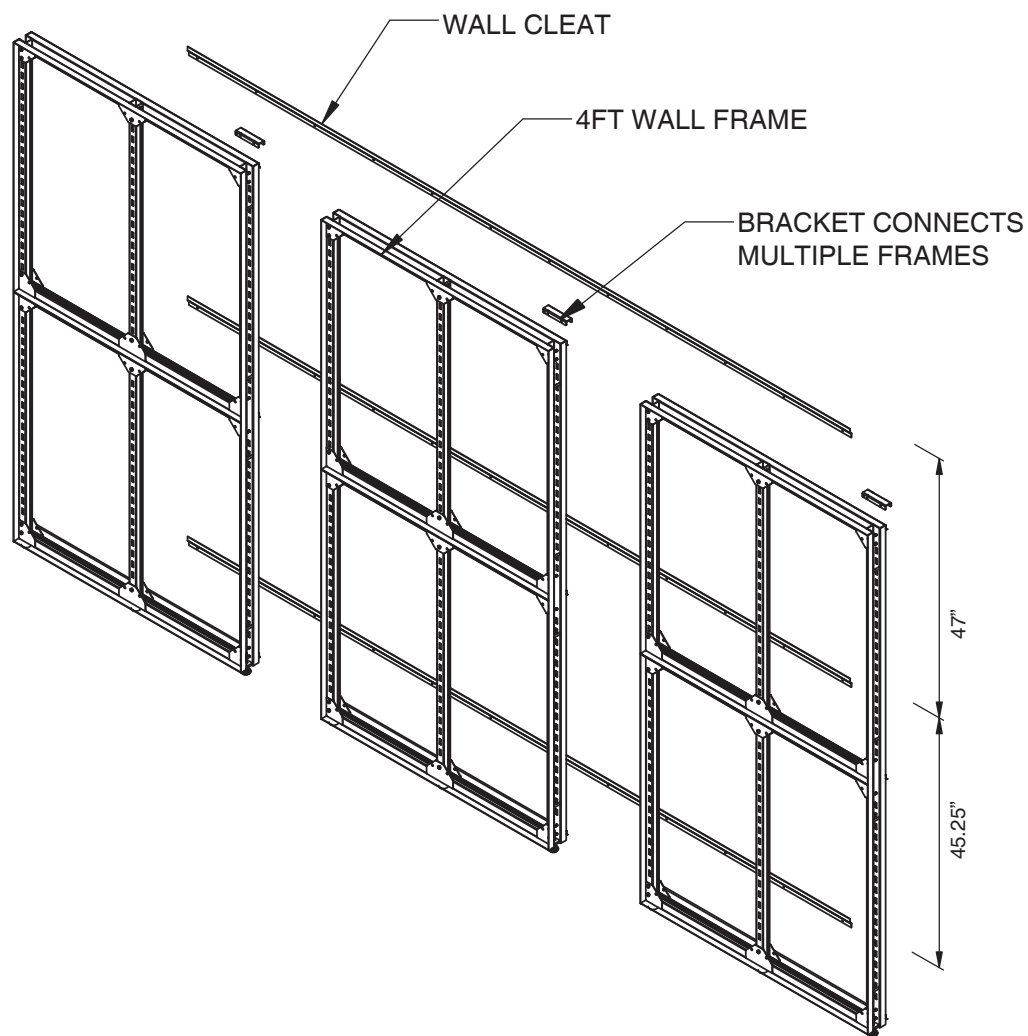
1X. OPEN END WRENCH
FOR HEX BOLT 1/4-20 UNC

STEP 1:

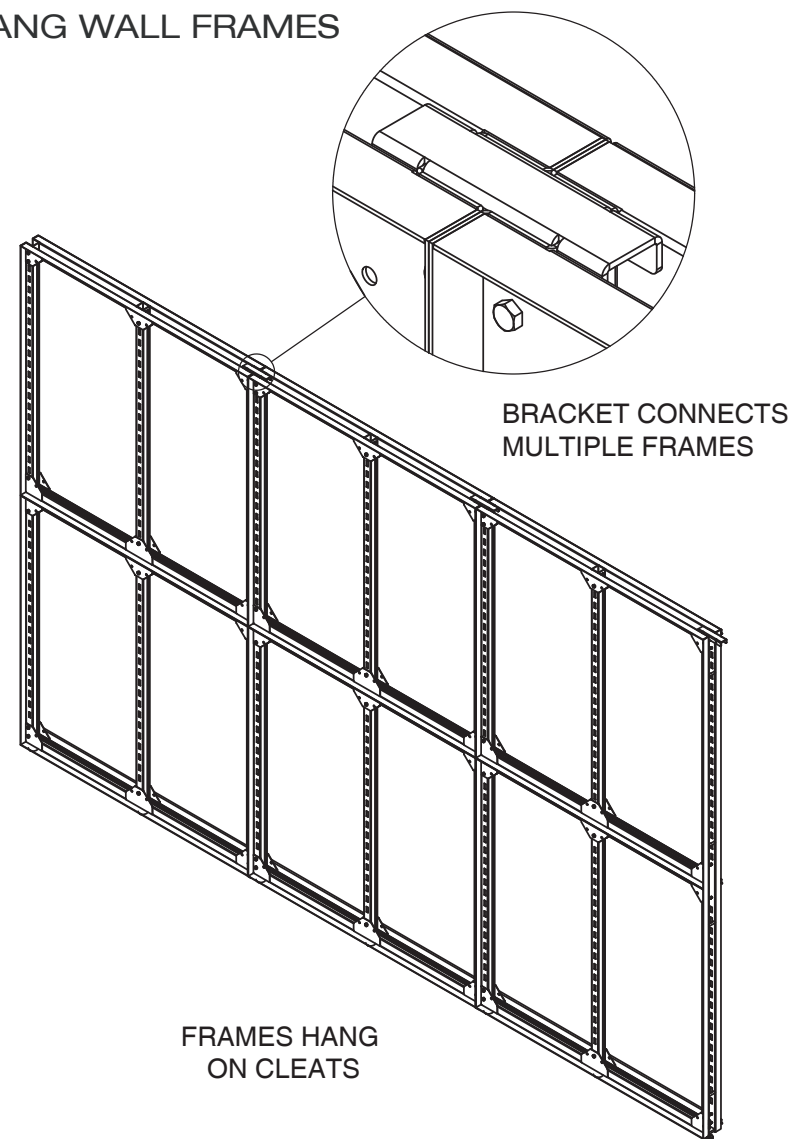


FINISHED FRAME ASSEMBLY

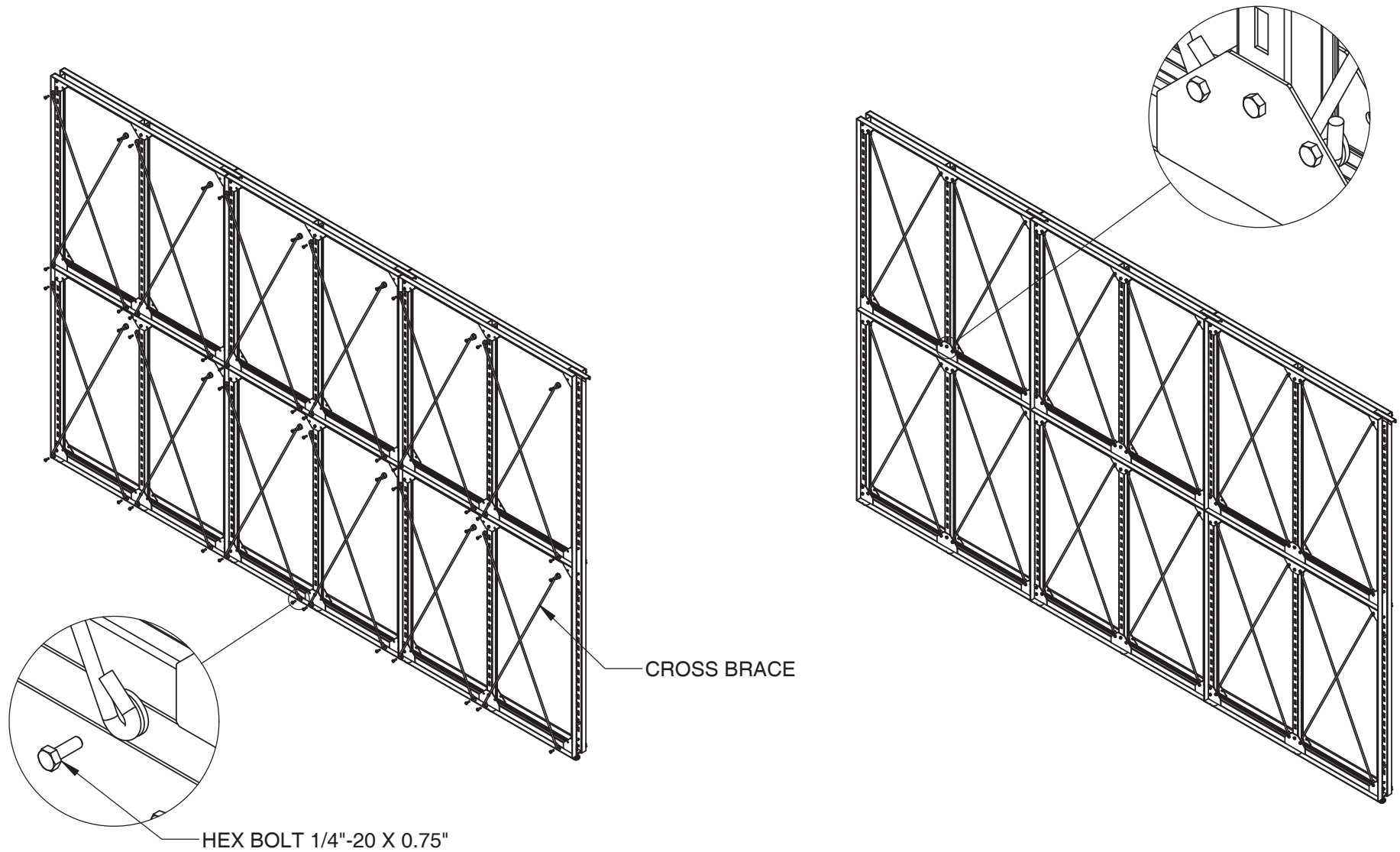
STEP 2: MOUNT WALL CLEATS



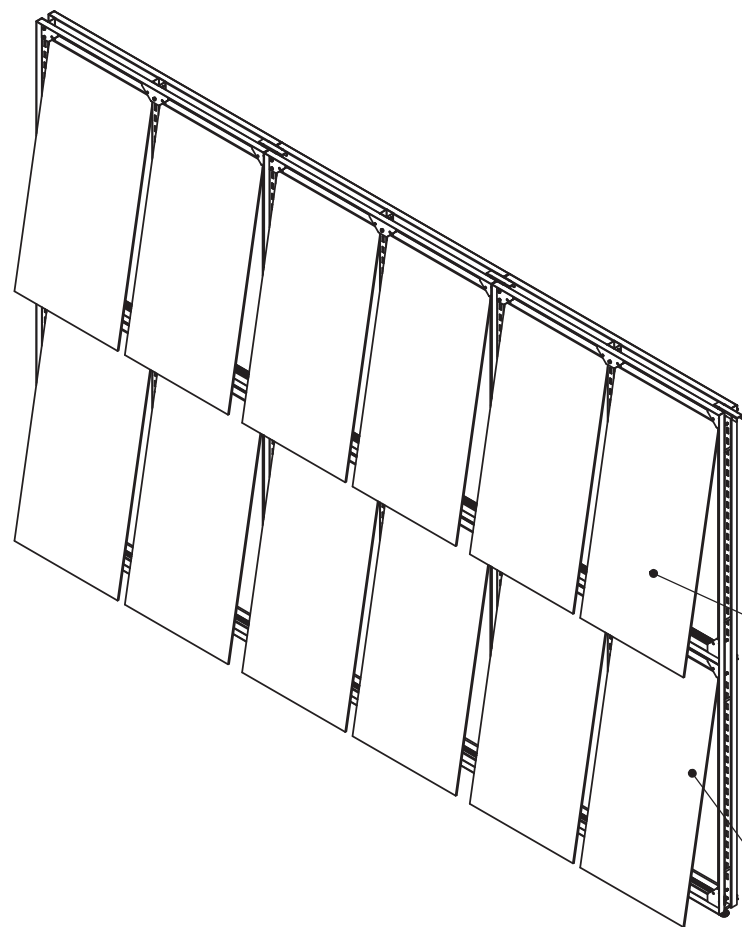
STEP 3: HANG WALL FRAMES



STEP 4: ADD OPTIONAL CROSS BRACES

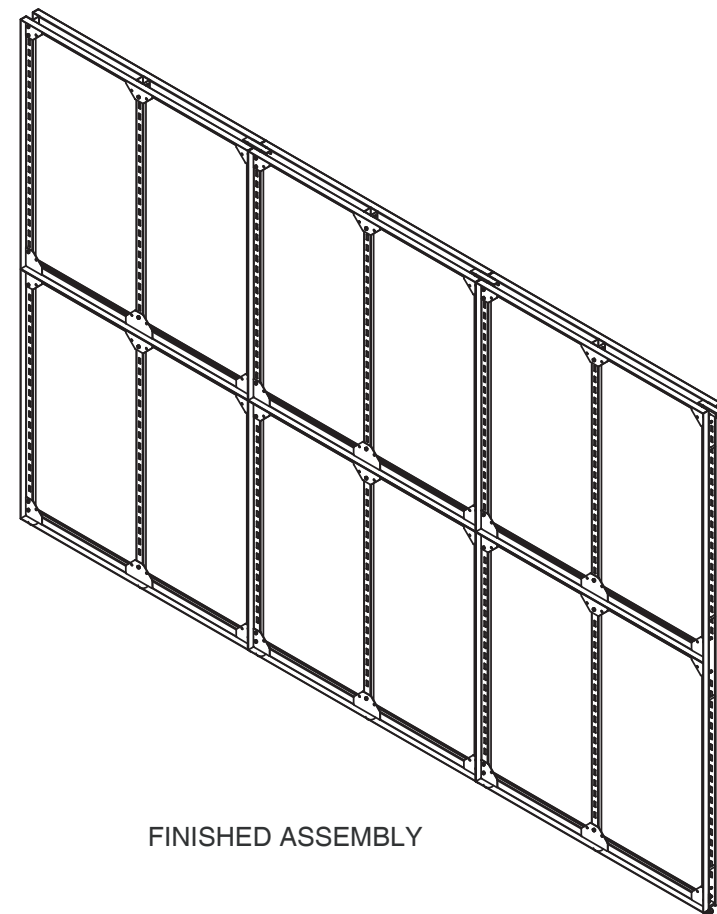


STEP 3: ADD OPTIONAL BACK PANELS



TO INSTALL, SLIDE
UP AND THEN DOWN
INTO FRAME CORNERS

OPTIONAL PANELS



FINISHED ASSEMBLY