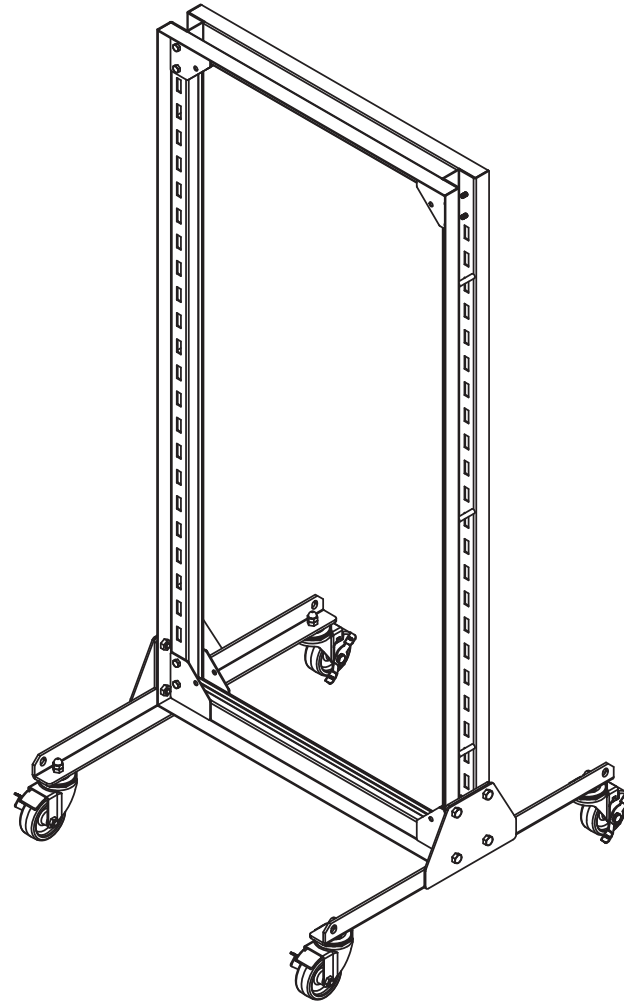




ASTORIA
ASSEMBLY INSTRUCTIONS

2-WAY 2FT :: 257-FF-2W-2F



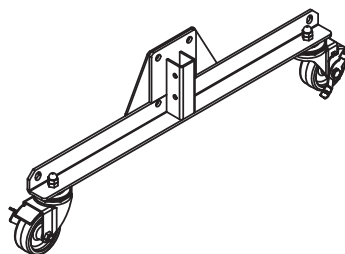
PART LIST:



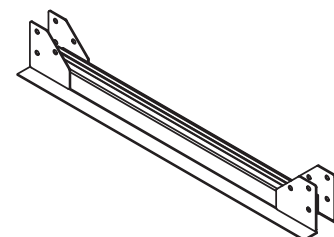
1X. LEFT UPRIGHT



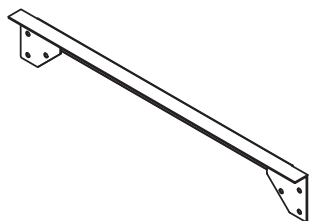
1X. RIGHT UPRIGHT



2X. LEG



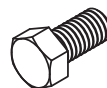
1X. BOTTOM RAIL



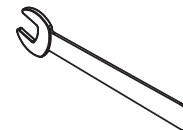
2X. TOP RAIL



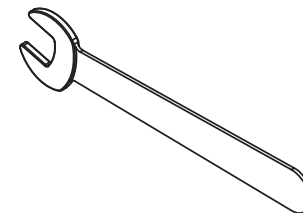
16X. HEX BOLT 1/4"-20 X 0.625"



8X. HEX BOLT 3/8"-16 X 0.75"

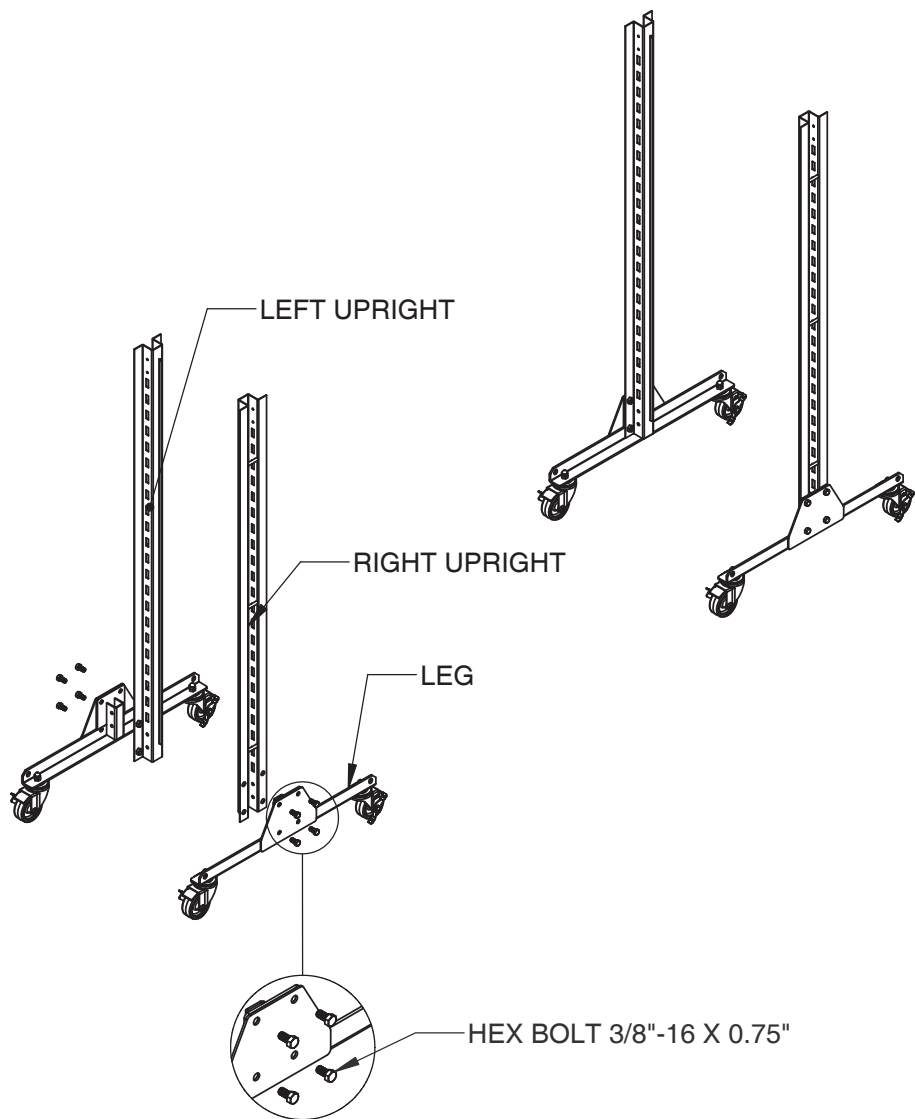


1X. OPEN END WRENCH FOR 1/4"-20

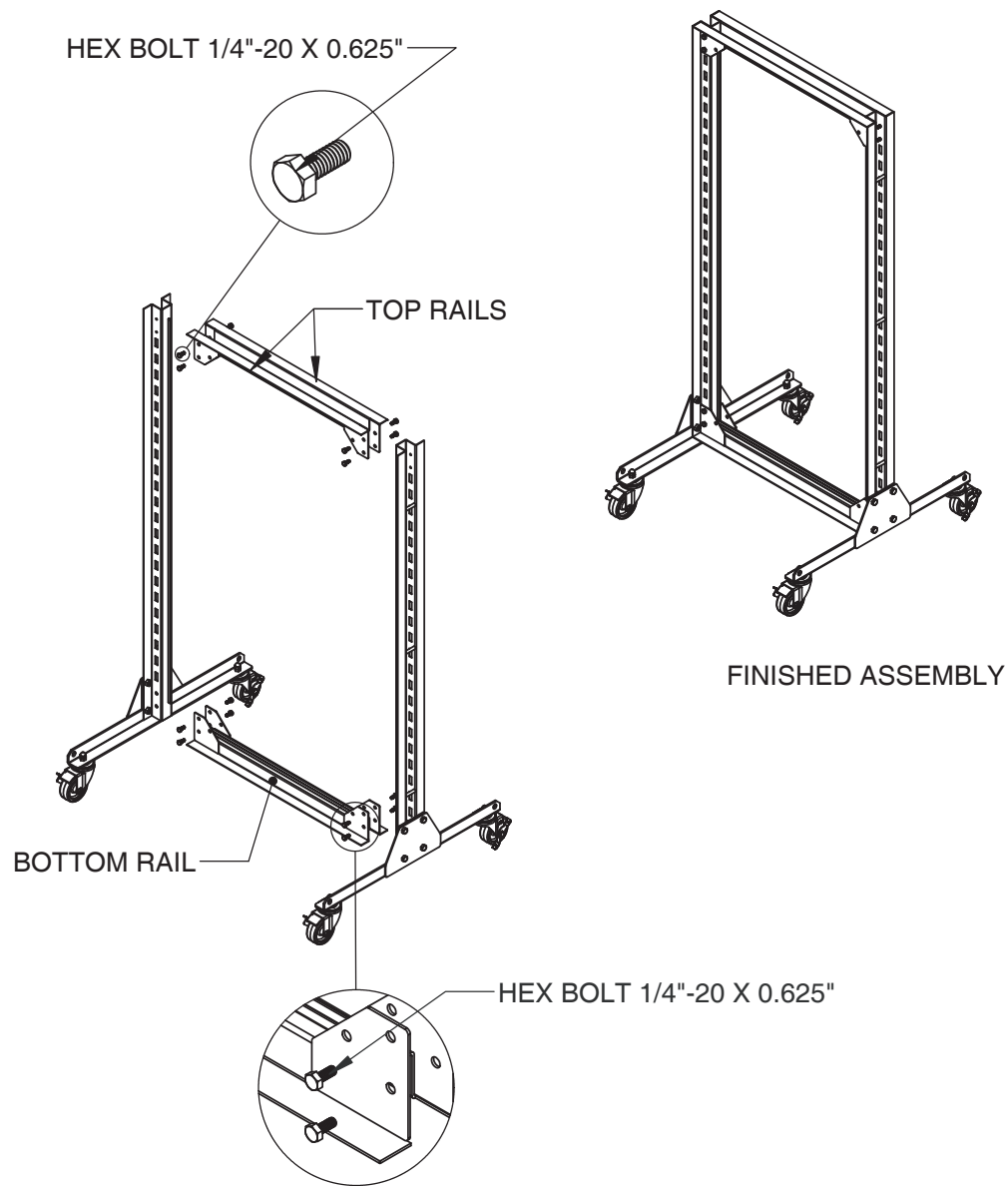


1X. OPEN END WRENCH FOR 3/8"-16

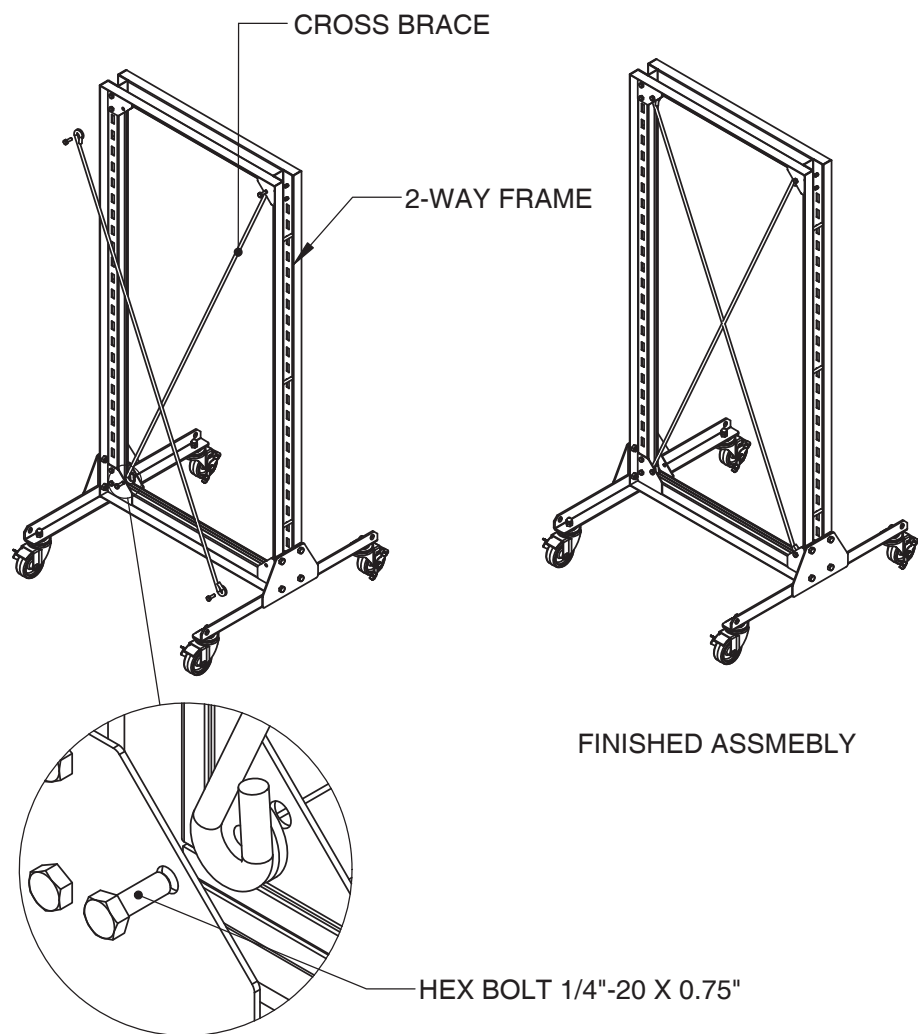
STEP 1:



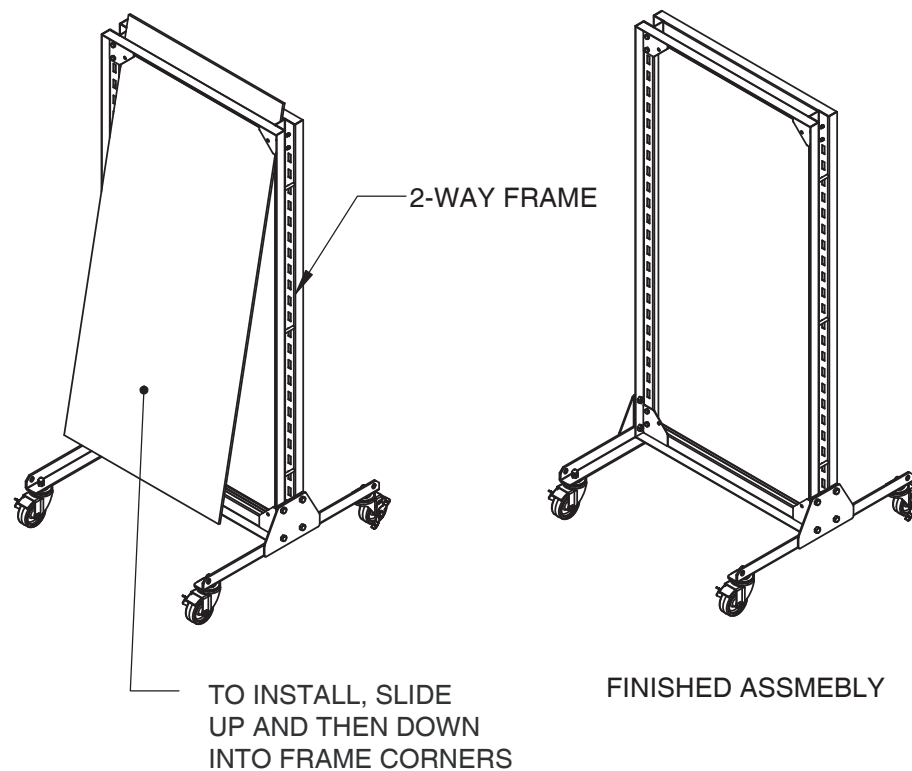
STEP 2:



STEP 3: W/ OPTIONAL CROSS BRACES



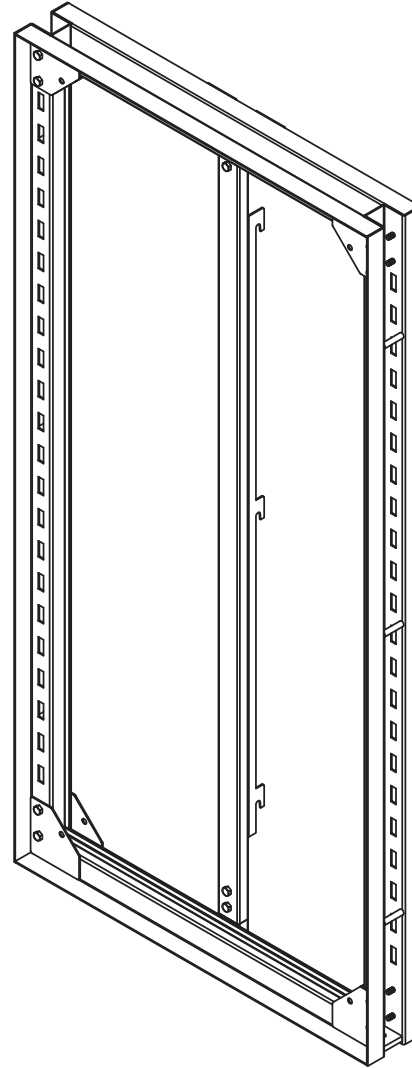
STEP 3: W/ OPTIONAL BACK PANELS



FLOOR FIXTURE END CAP :: 257-FF-EC



ASTORIA
ASSEMBLY INSTRUCTIONS



PART LIST:



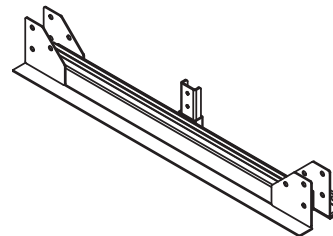
1X. LEFT UPRIGHT



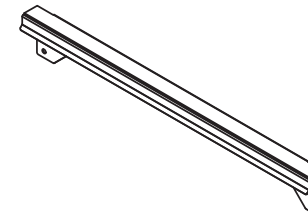
1X. RIGHT UPRIGHT



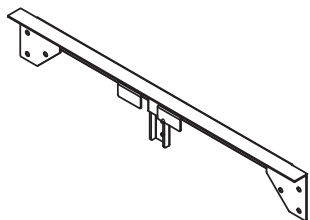
1X. CENTER UPRIGHT



1X. BOTTOM RAIL



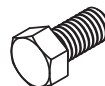
1X. TOP RAIL - A



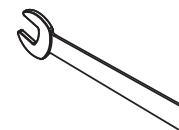
1X. TOP RAIL - B



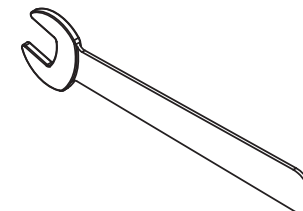
20X. HEX BOLT 1/4"-20 X 0.625"



2X. HEX BOLT 3/8"-16 X 0.75"

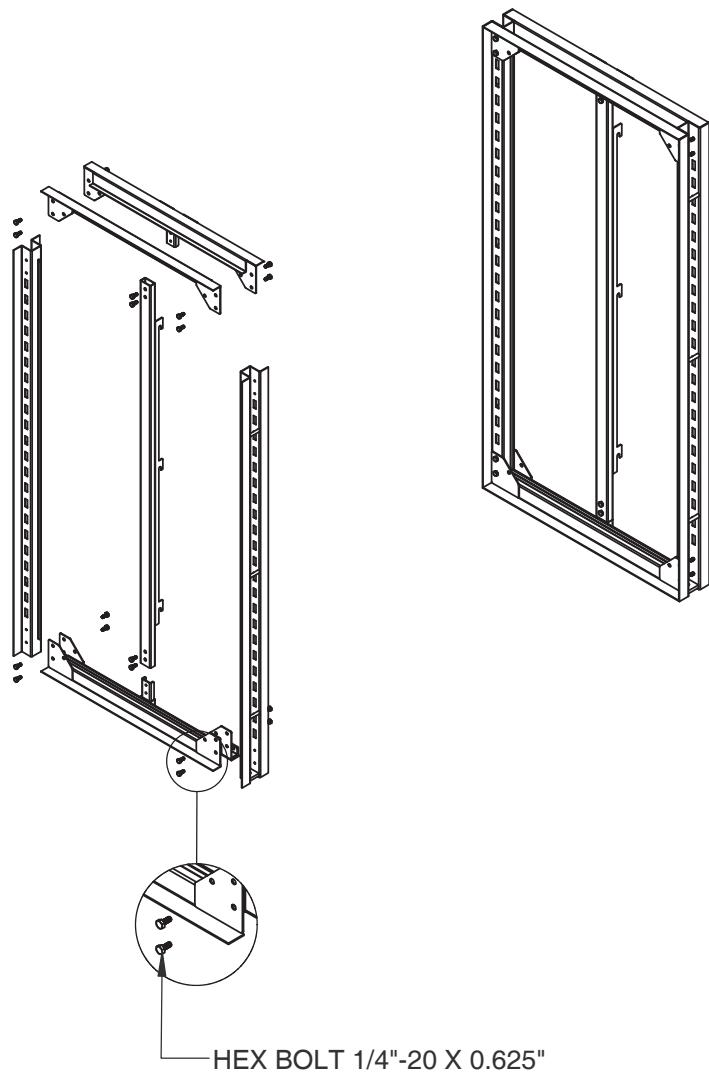


1X. OPEN END WRENCH FOR 1/4"-20



1X. OPEN END WRENCH FOR 3/8"-16

STEP 1:



STEP 2:

