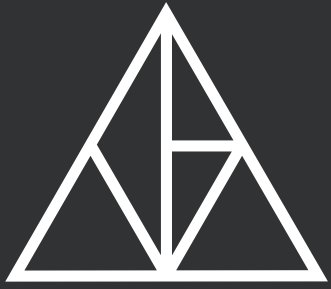
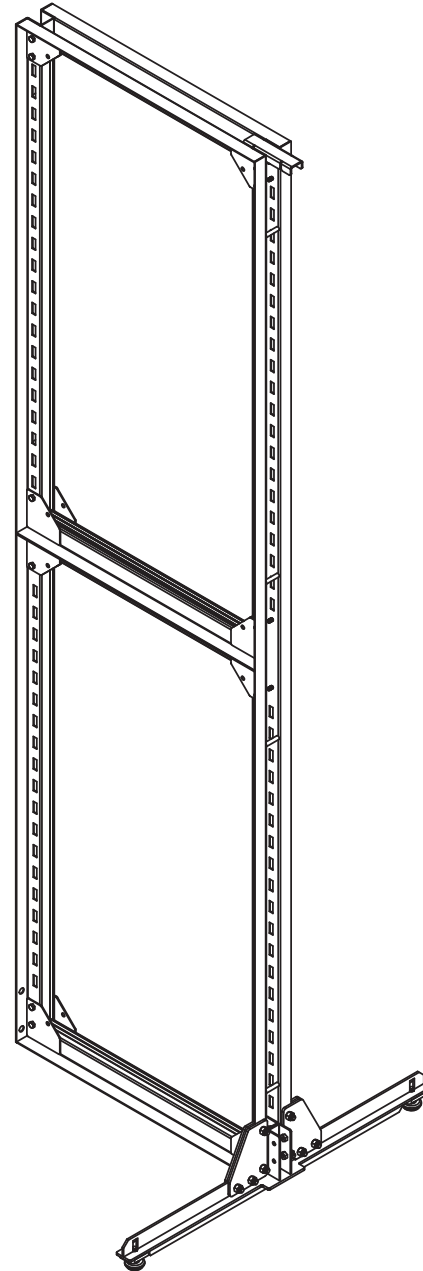


FREESTANDING WALL ADD ON 2FT :: 257-W-DSFS-2-AO



ASTORIA
ASSEMBLY INSTRUCTIONS



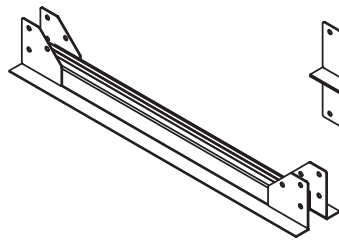
PART LIST:



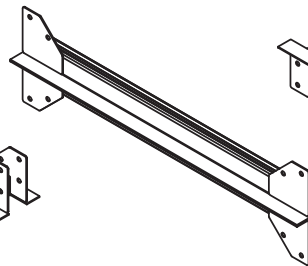
1X. LEFT UPRIGHT



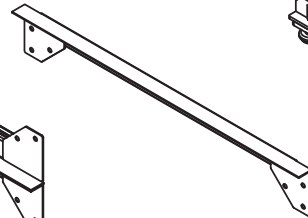
1X. RIGHT UPRIGHT



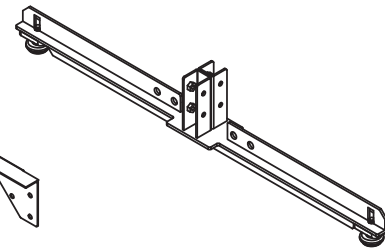
1X. BOTTOM RAIL



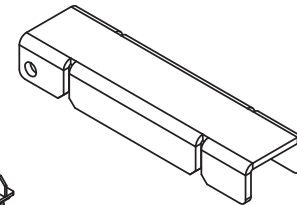
2X. CENTER RAIL A



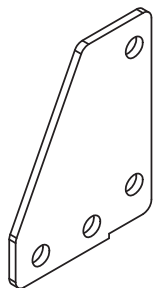
2X. TOP RAIL A



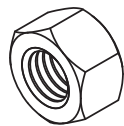
1X. CENTER LEG
FREESTANDING WALL



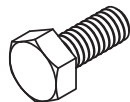
1X. BRACKET



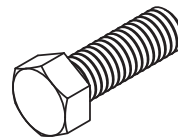
4X. LEG BRACKET



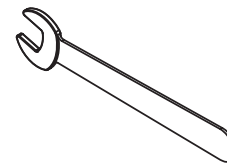
8X. HEX NUTS 3/8-16



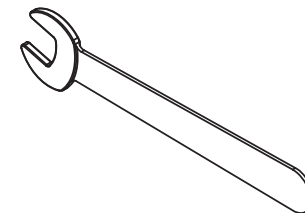
24X. HEX BOLT
1/4"-20 X 0.625"



8X. HEX BOLT
3/8"-16 X 1.125"

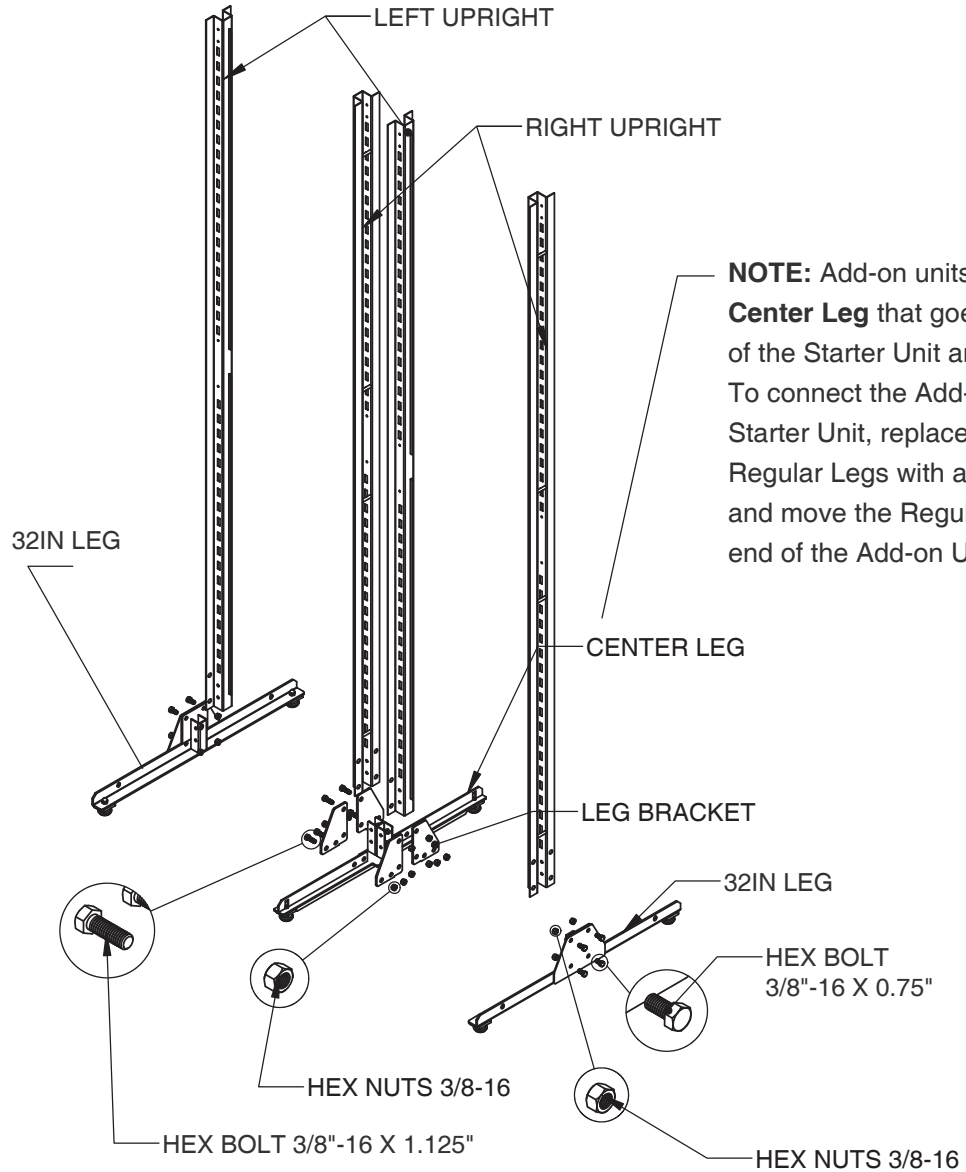


1X. OPEN END WRENCH
FOR HEX BOLT 1/4-20 UNC



1X. OPEN END WRENCH
FOR HEX BOLT 3/8"-16 UNC

STEP 1: CONNECT LEGS TO UPRIGHTS



NOTE: Add-on units include a **Center Leg** that goes in the middle of the Starter Unit and Add-on Units. To connect the Add-on Unit to the Starter Unit, replace one of the Regular Legs with a Center Leg and move the Regular Leg to the end of the Add-on Unit.

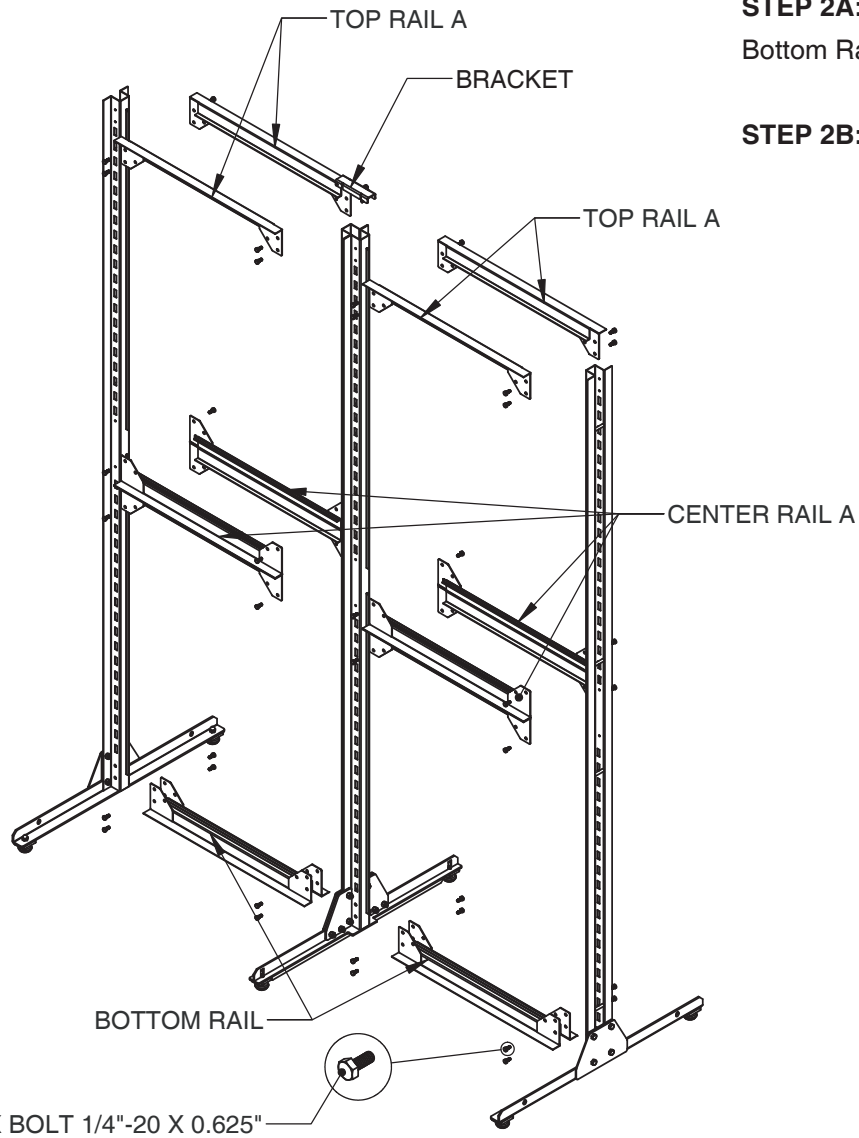
ASSEMBLED UPRIGHTS, READY FOR STEP 3

1: ASSEMBLED LEFT UPRIGHT LGT

2: ASSEMBLED CENTER UPRIGHT LGT

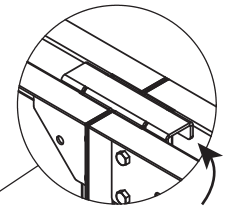
3: ASSEMBLED RIGHT UPRIGHT LGT

STEP 2: CONNECT THE STARTER & ADD ON WITH TOP & CENTER RAILS

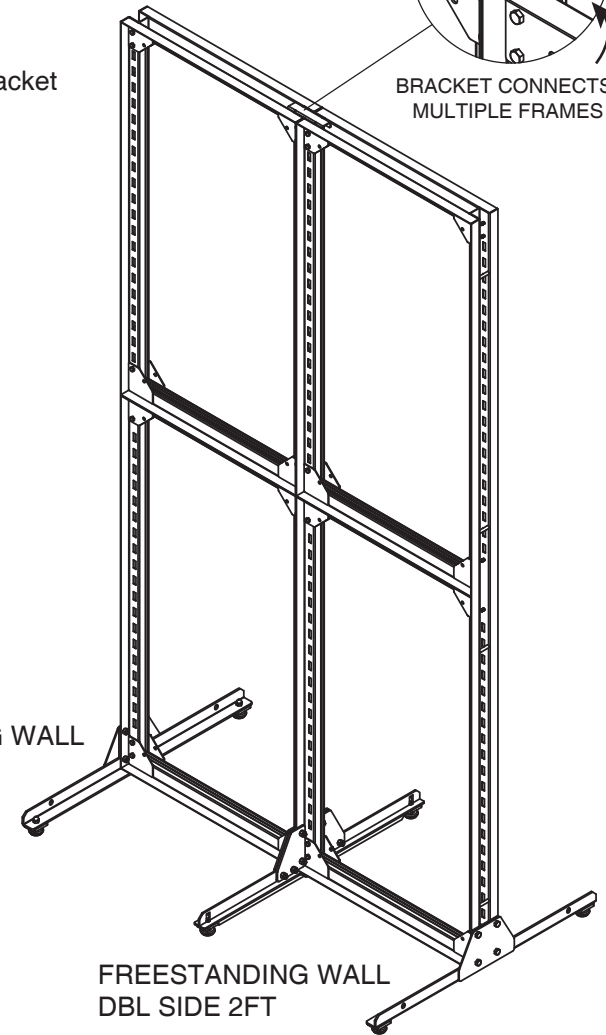


STEP 2A: Connect Top Rails, Center Rails and Bottom Rails to all Uprights.

STEP 2B: Connect starter and Add-On with Bracket

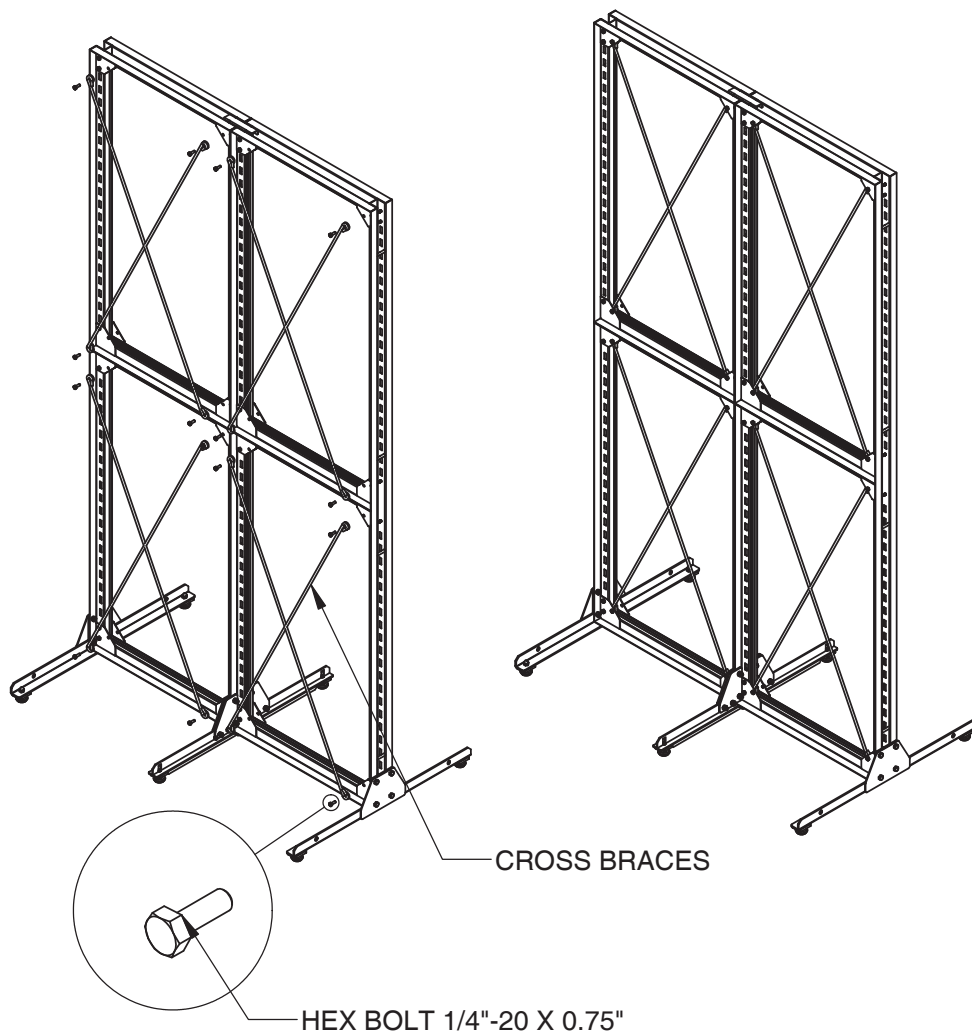


FREESTANDING WALL
ADD ON 2FT



FINISHED ASSEMBLY

STEP 3: W/ OPTIONAL CROSS BRACES



STEP 3: W/ OPTIONAL BACK PANELS

