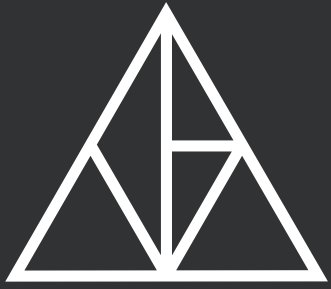
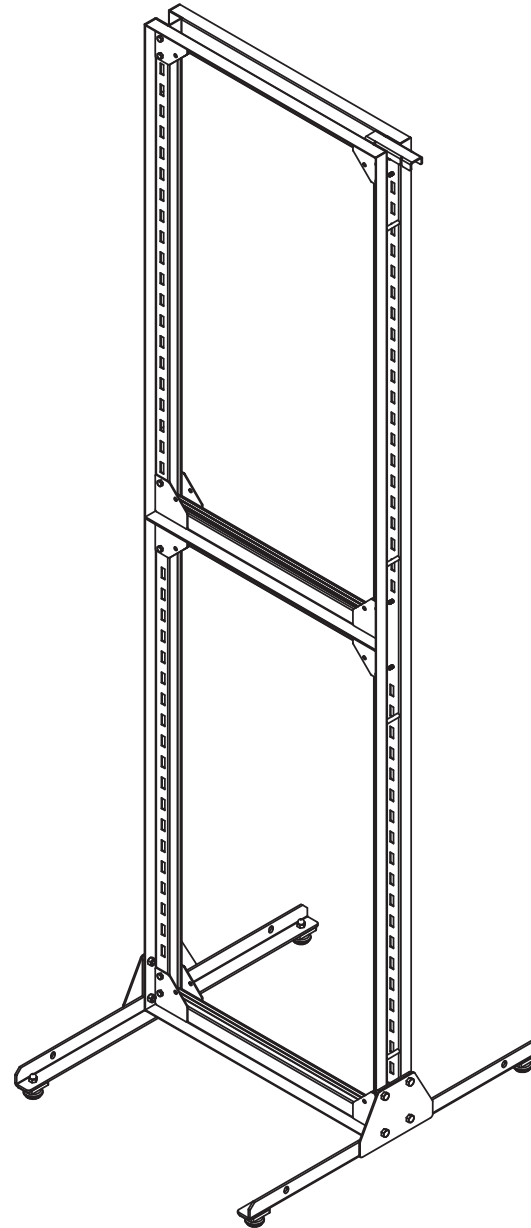


FREESTANDING WALL 2FT :: 257-W-DSFS-2



ASTORIA
ASSEMBLY INSTRUCTIONS



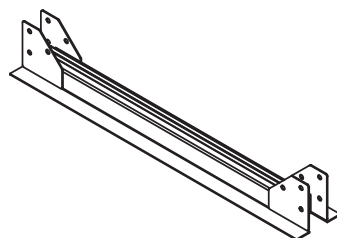
PART LIST:



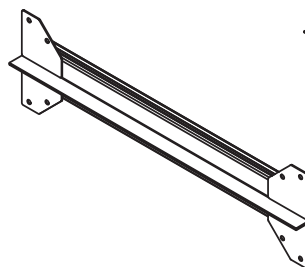
1X. LEFT UPRIGHT



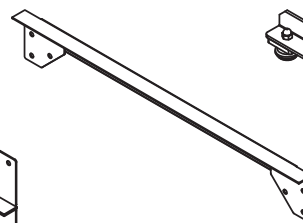
1X. RIGHT UPRIGHT



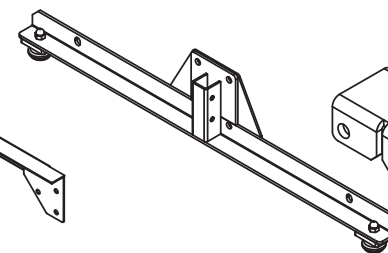
1X. BOTTOM RAIL



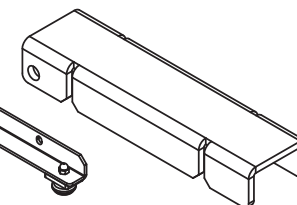
2X. CENTER RAIL A



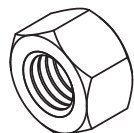
2X. TOP RAIL A



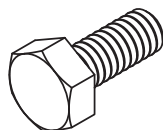
2X. 32IN LEG
W/LEVELER



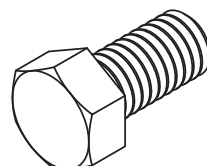
1X. BRACKET



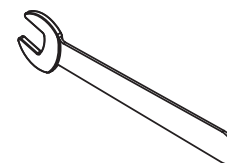
8X. HEX NUTS 3/8-16



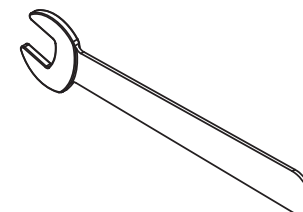
24X. HEX BOLT 1/4"-20 X 0.625"



8X. HEX BOLT 3/8"-16 X 0.75"

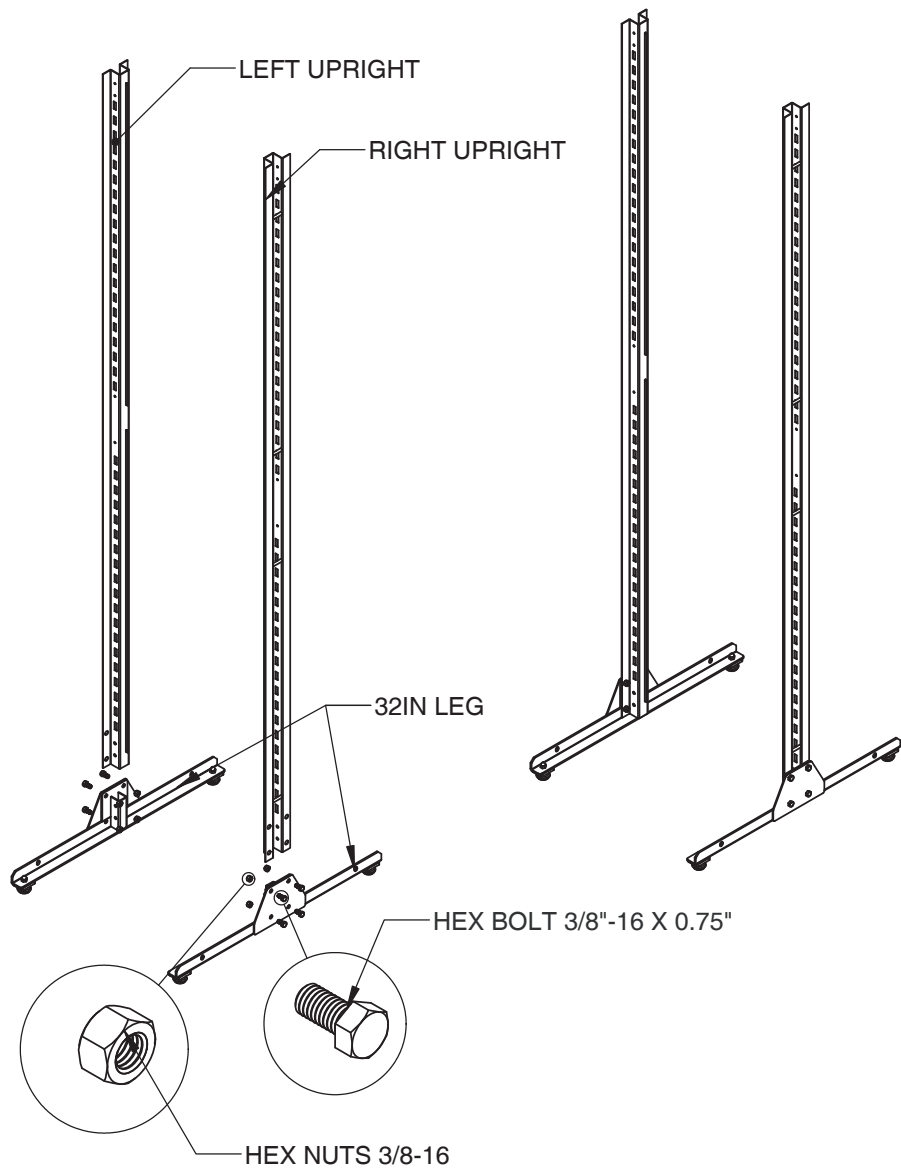


1X. OPEN END WRENCH
FOR HEX BOLT 1/4-20 UNC

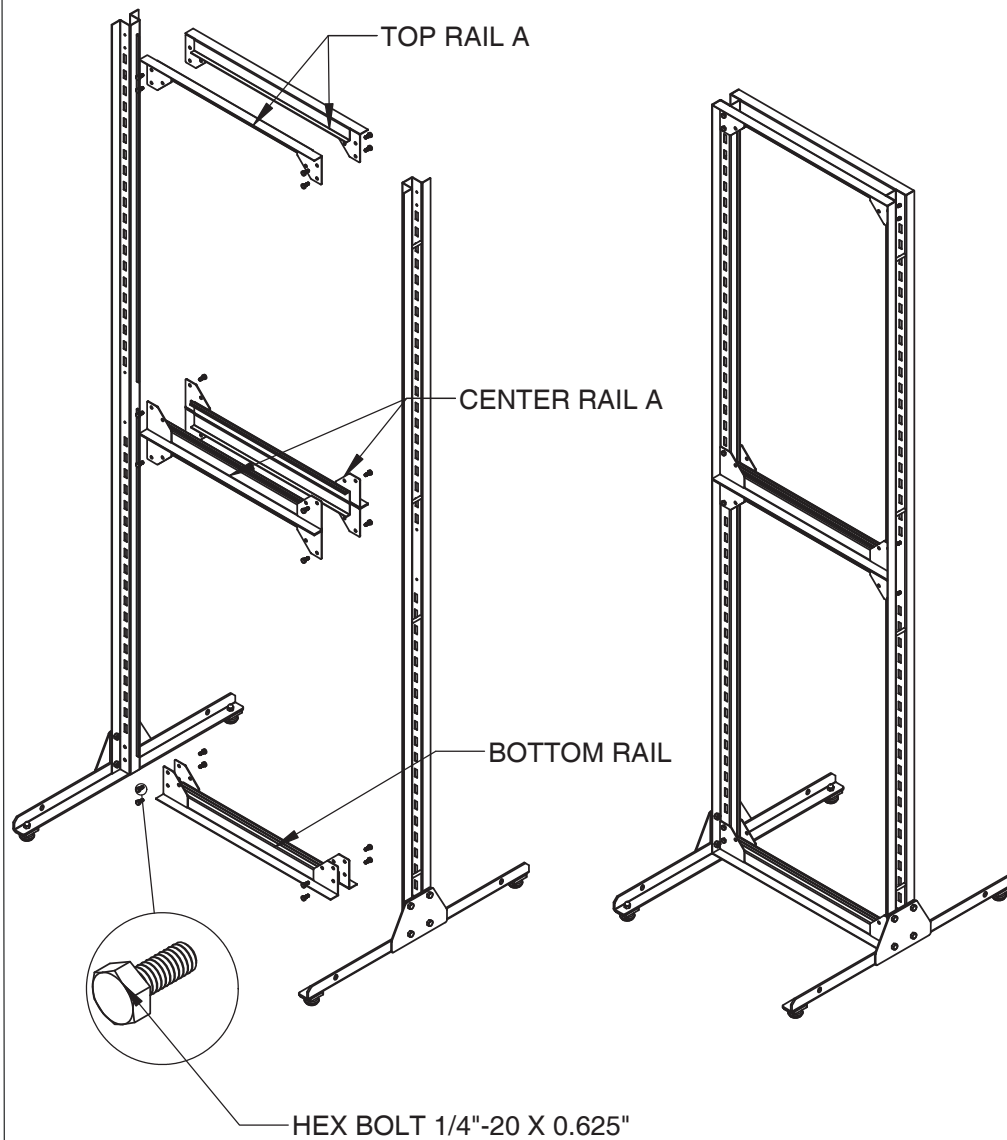


1X. OPEN END WRENCH
FOR HEX BOLT 3/8"-16 UNC

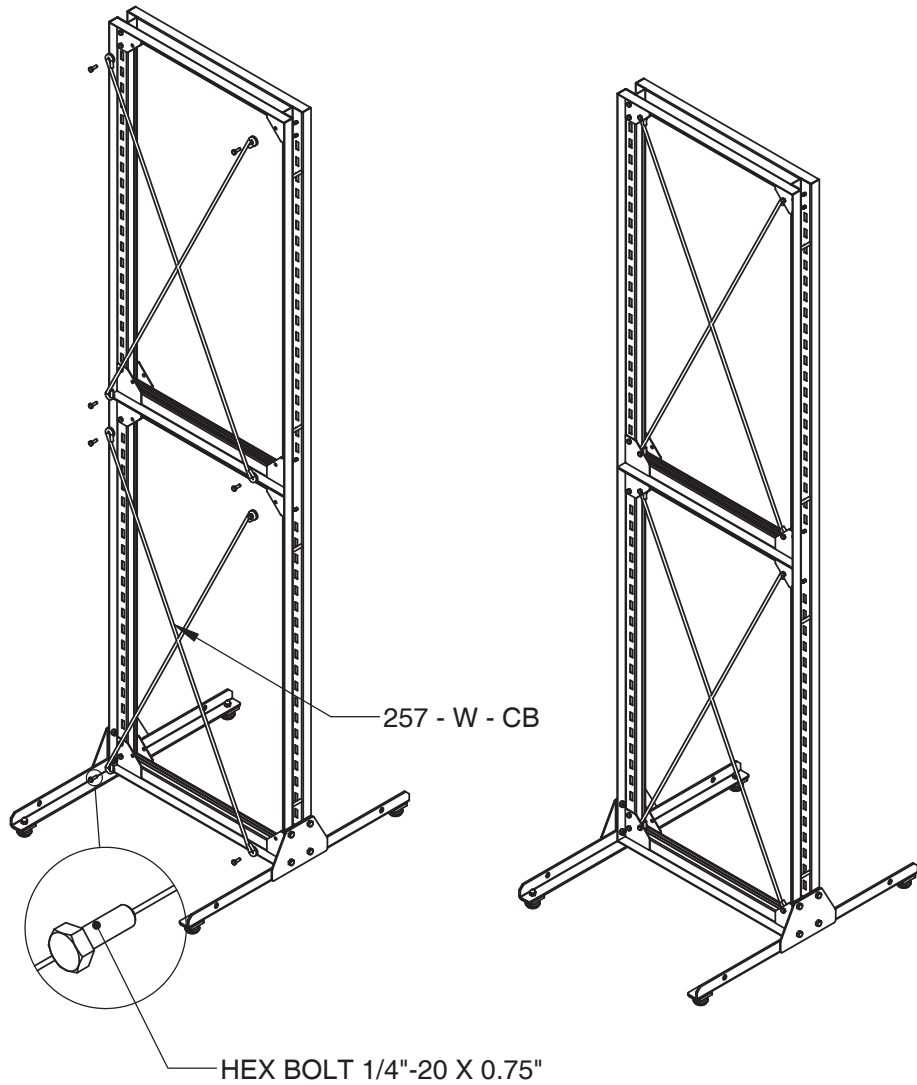
STEP 1: CONNECT LEGS TO UPRIGHTS



STEP 2: CONNECT TOP RAILS, CENTER RAILS & BOTTOM RAIL TO UPRIGHTS.



STEP 3: W/ OPTIONAL CROSS BRACES



STEP 3: W/ OPTIONAL BACK PANELS

