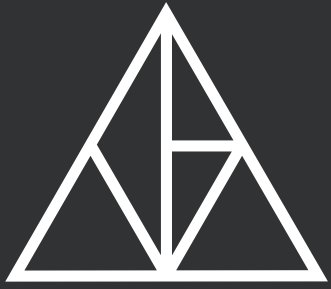
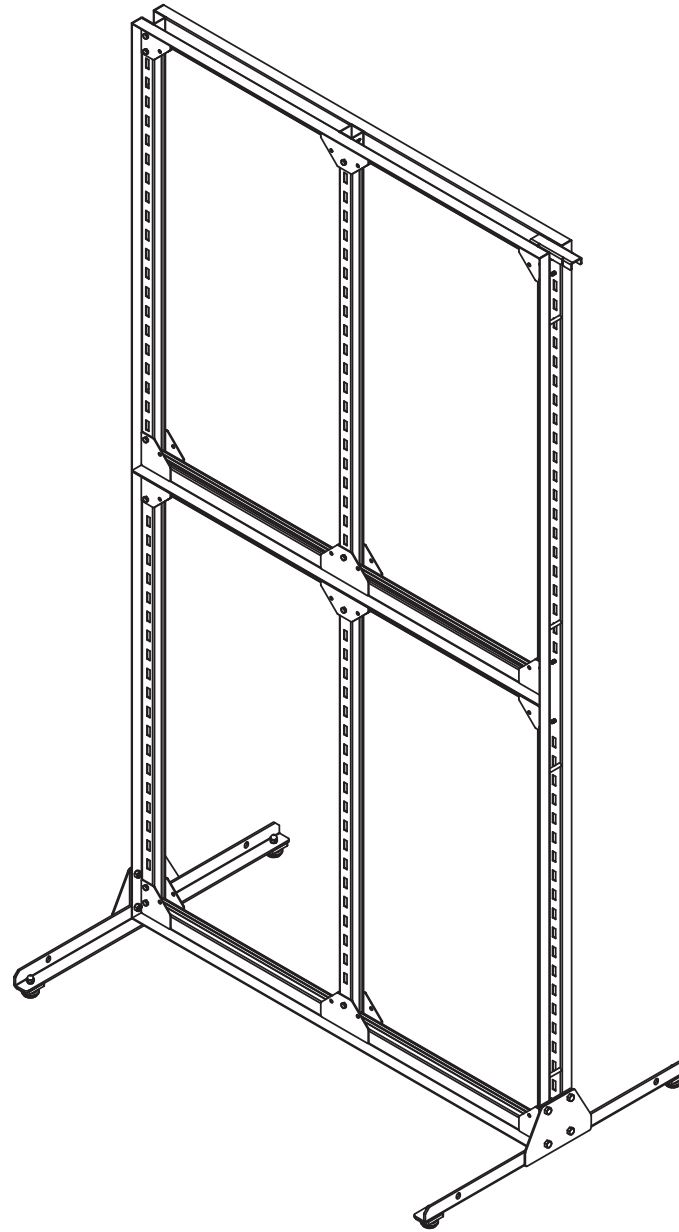


FREESTANDING WALL 4FT :: 257-W-DSFS-4



ASTORIA
ASSEMBLY INSTRUCTIONS



PART LIST:



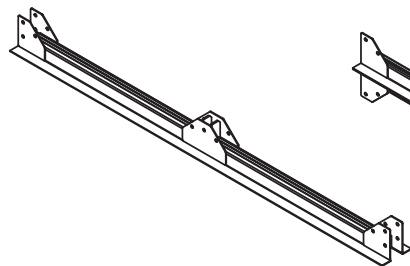
1X. LEFT UPRIGHT



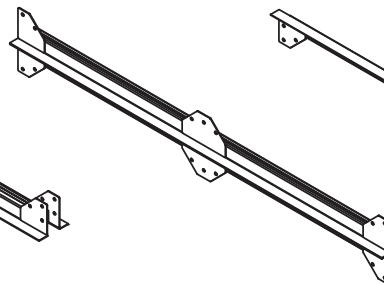
1X. RIGHT UPRIGHT



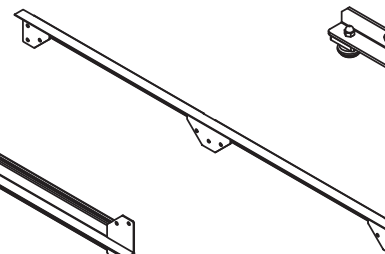
1X. CENTER UPRIGHT



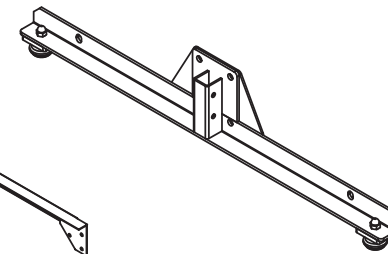
1X. BOTTOM RAIL



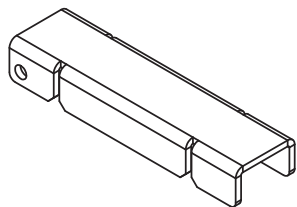
2X. CENTER RAIL



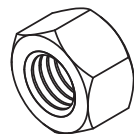
2X. TOP RAIL



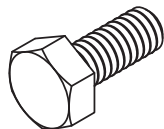
2X. 32IN LEG W/LEVELER



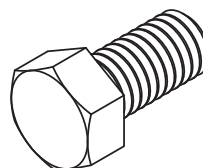
1X. BRACKET



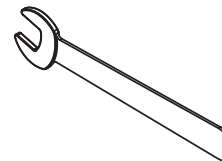
8X. HEX NUTS 3/8-16



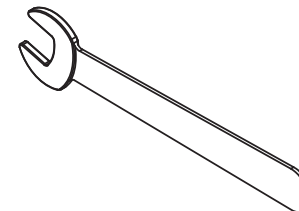
32X. HEX BOLT 1/4"-20 X 0.625"



8X. HEX BOLT 3/8"-16 X 0.75"

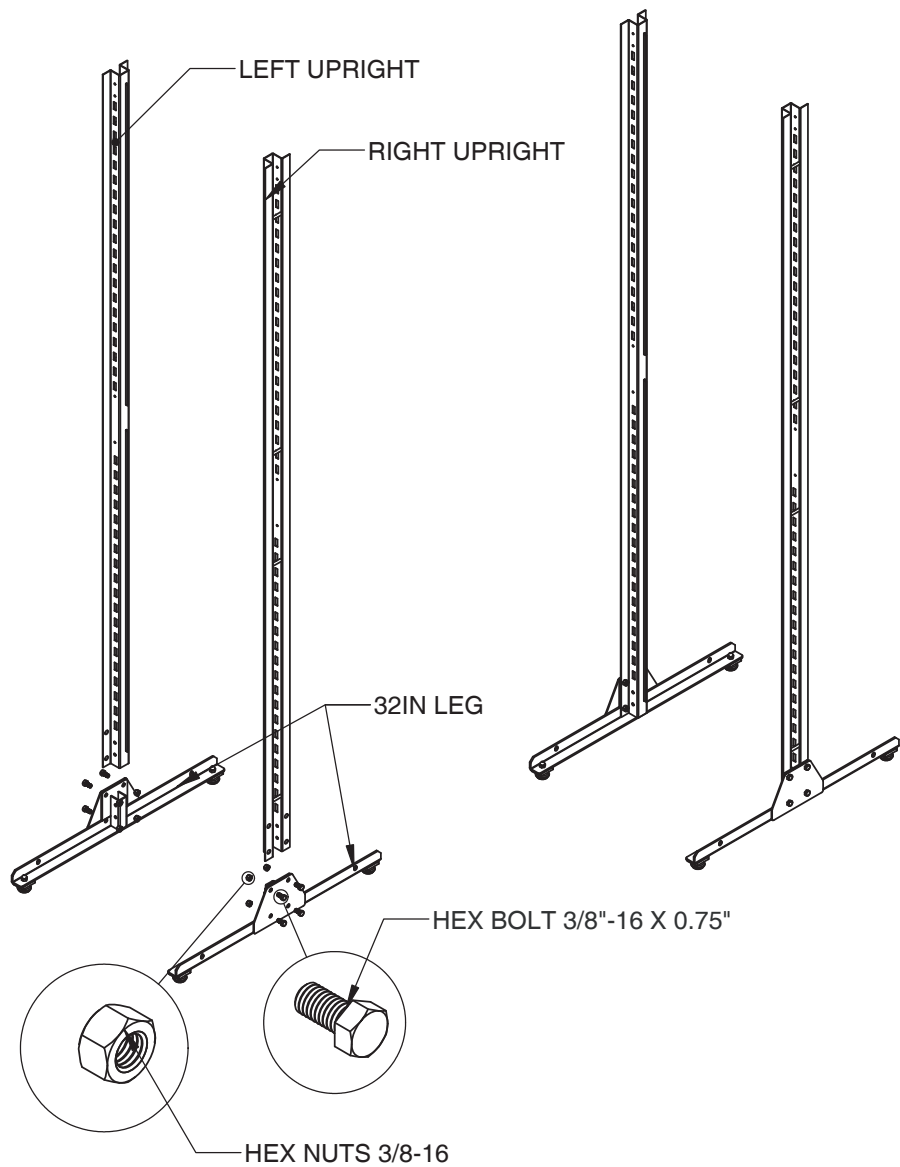


1X. OPEN END WRENCH FOR HEX BOLT 1/4-20 UNC

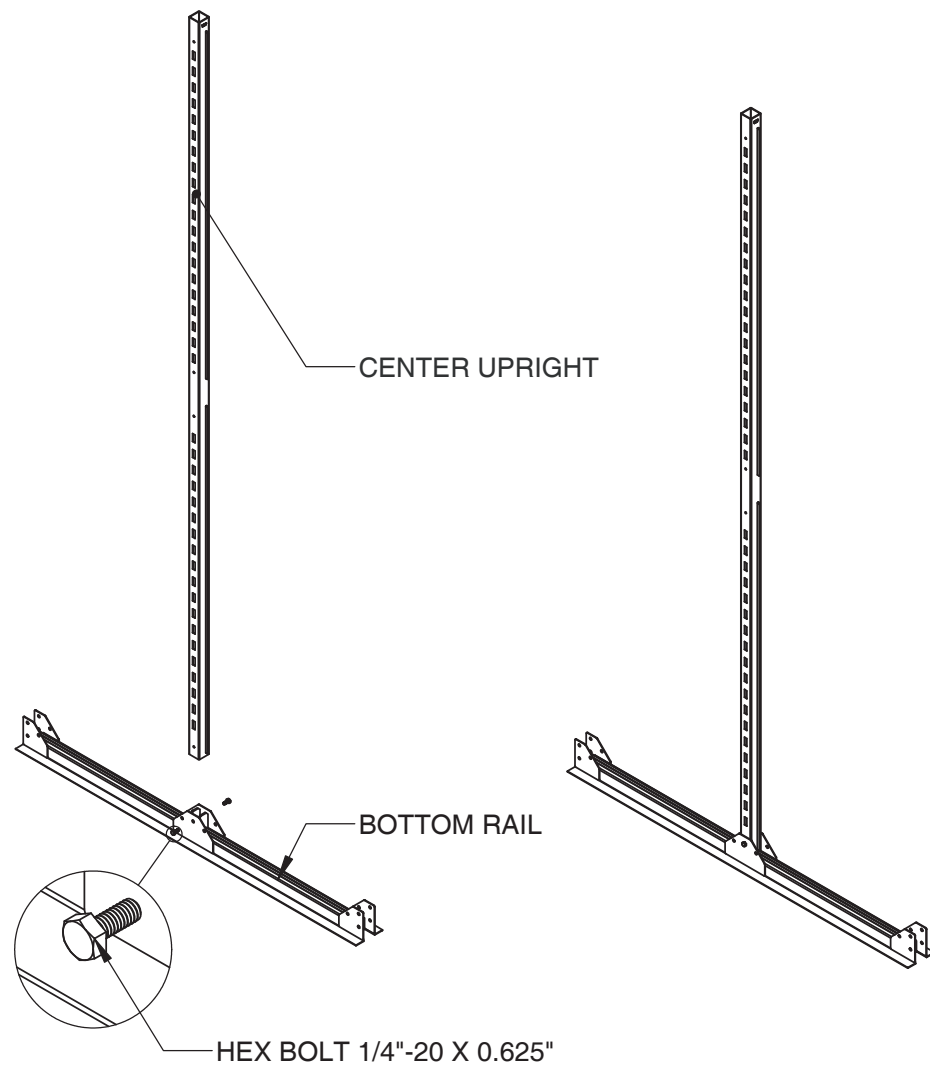


1X. OPEN END WRENCH FOR HEX BOLT 3/8"-16 UNC

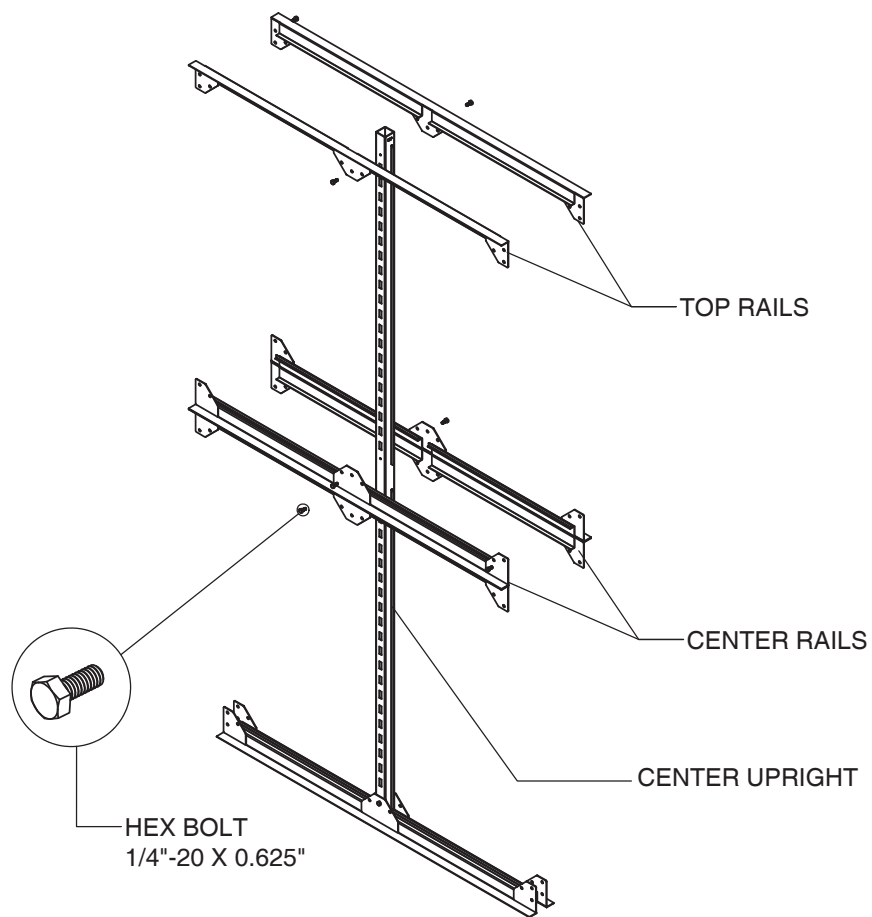
STEP 1: CONNECT LEGS TO UPRIGHTS



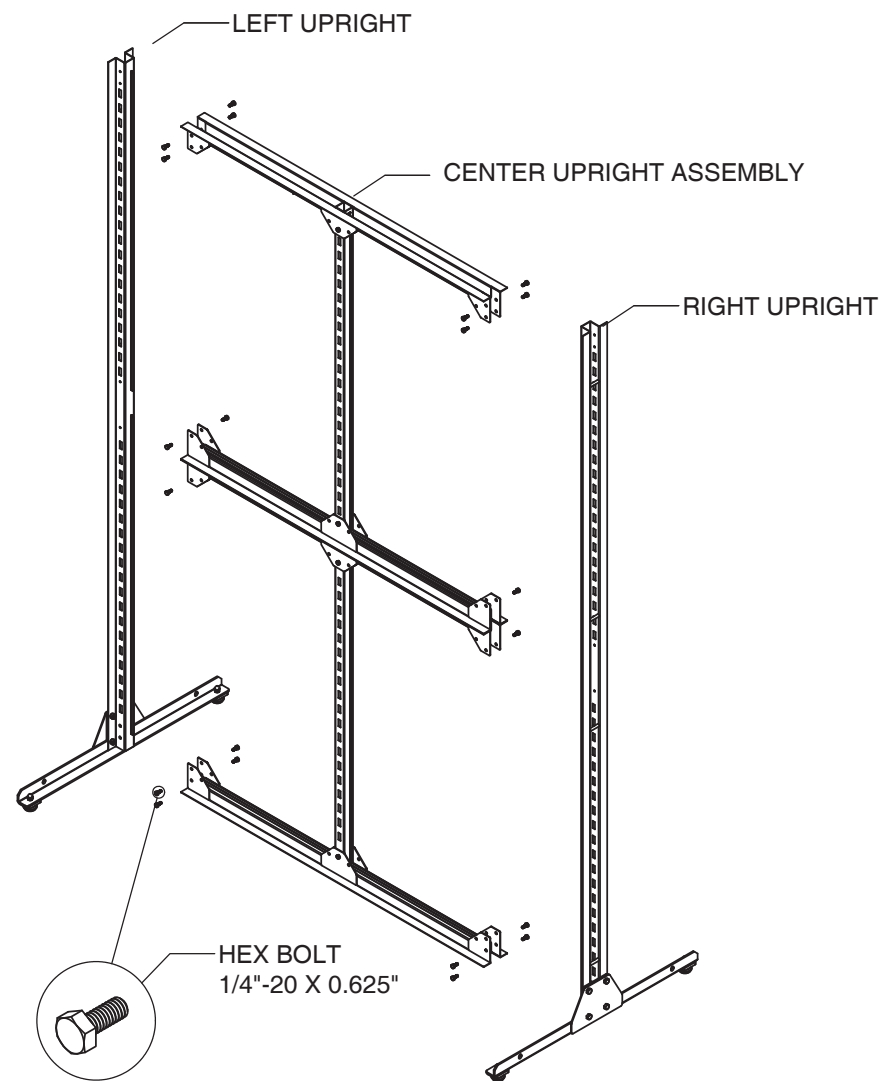
STEP 2: CONNECT BOTTOM RAIL TO CENTER UPRIGHT



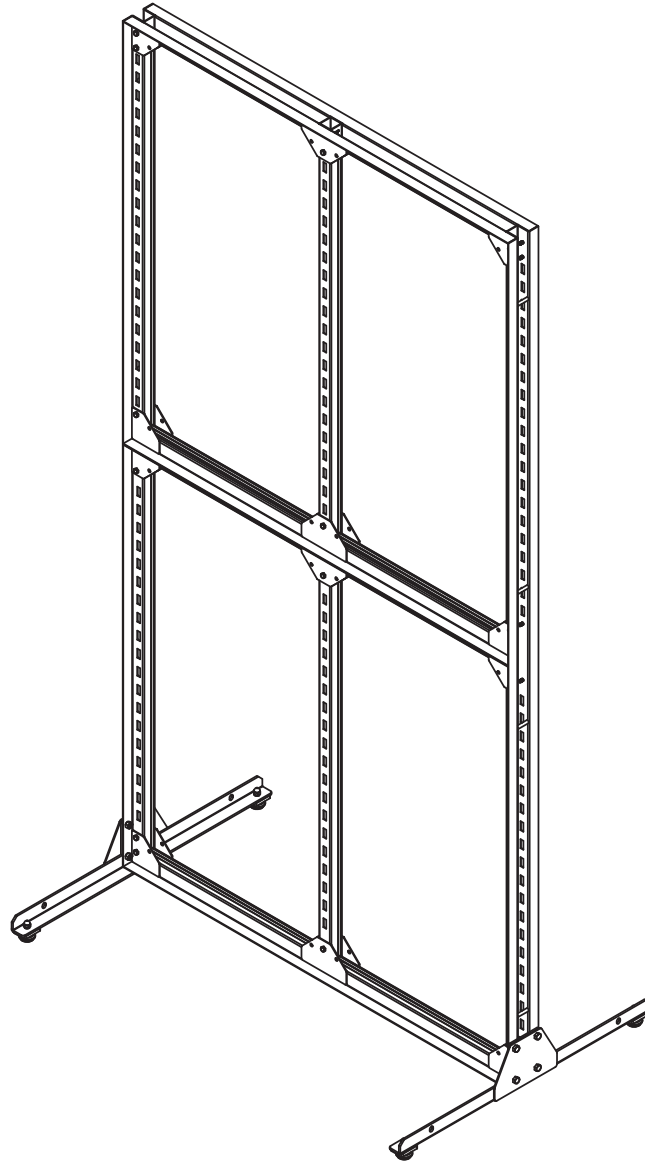
STEP 3: CONNECT TOP RAILS & CENTER RAILS TO CENTER UPRIGHT



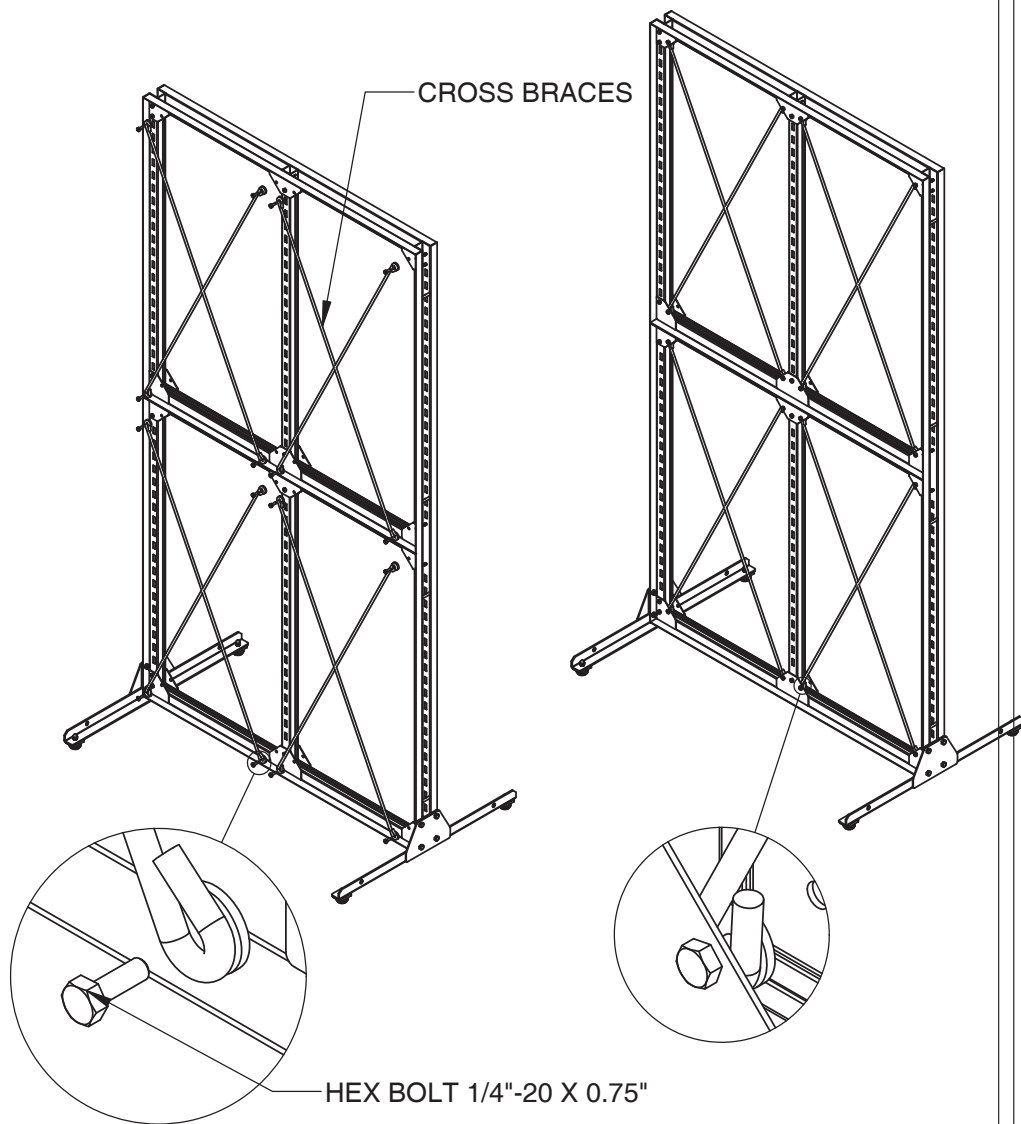
STEP 4: CONNECT LEFT & RIGHT UPRIGHTS TO THE CENTER UPRIGHT ASSEMBLY USING HEX BOLTS



COMPLETED FIXTURE



STEP 5: W/ OPTIONAL CROSS BRACES



STEP 5: W/ OPTIONAL BACK PANELS

