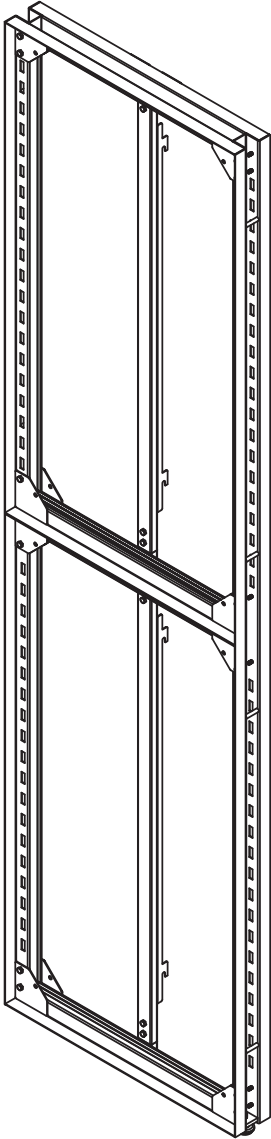


FREESTANDING WALL END CAP :: 257-W-FS-EC-24

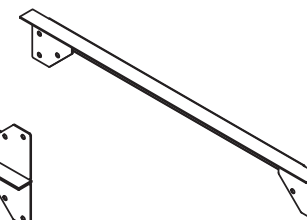
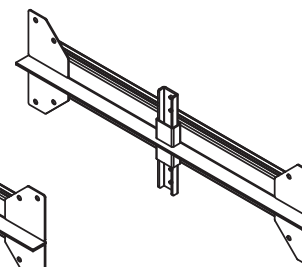
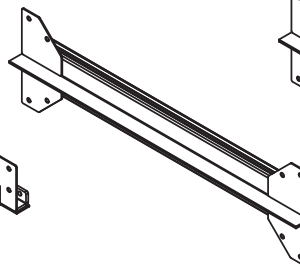
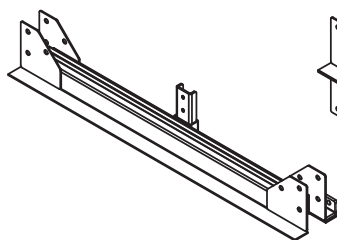
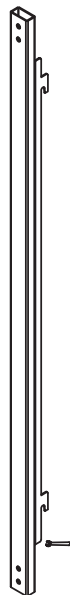


ASTORIA

ASSEMBLY INSTRUCTIONS



PART LIST:



1X. LEFT UPRIGHT
W/LEVELER

1X. RIGHT UPRIGHT
W/LEVELER

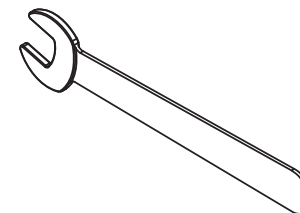
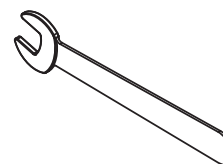
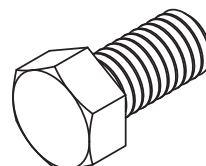
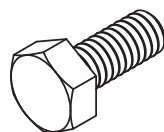
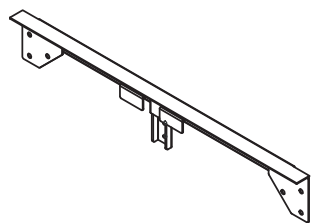
2X. CENTER UPRIGHT

1X. BOTTOM RAIL

1X. CENTER RAIL A

1X. CENTER RAIL B

1X. TOP RAIL A



1X. TOP RAIL B

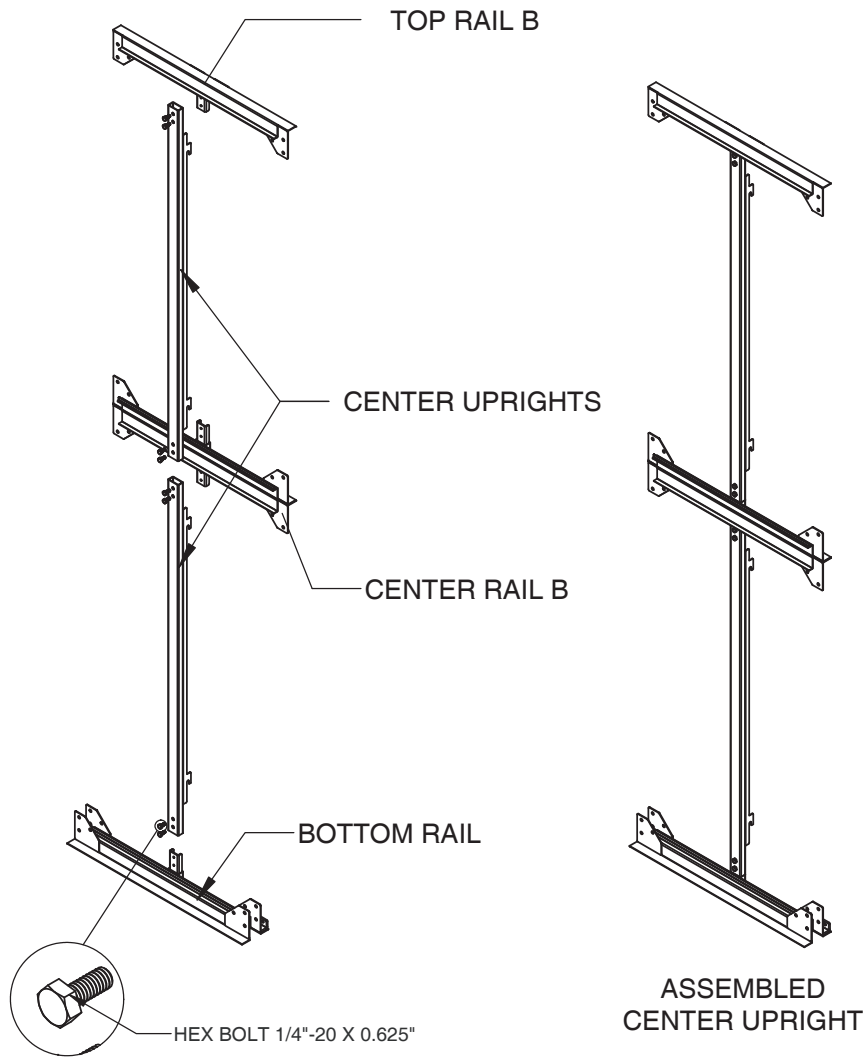
32X. HEX BOLT 1/4"-20 X 0.625"

2X. HEX BOLT 3/8"-16 X 0.75"

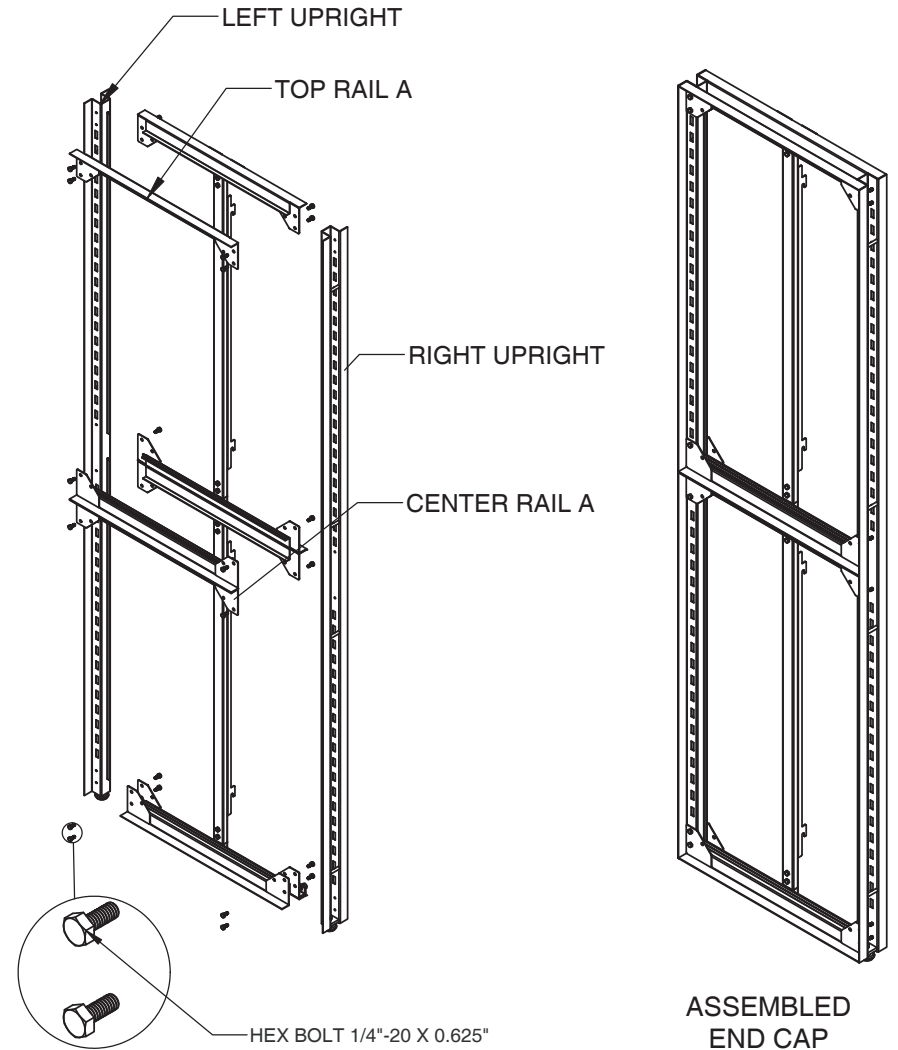
1X. OPEN END WRENCH
FOR HEX BOLT 1/4"-20 UNC

1X. OPEN END WRENCH
FOR HEX BOLT 3/8"-16 UNC

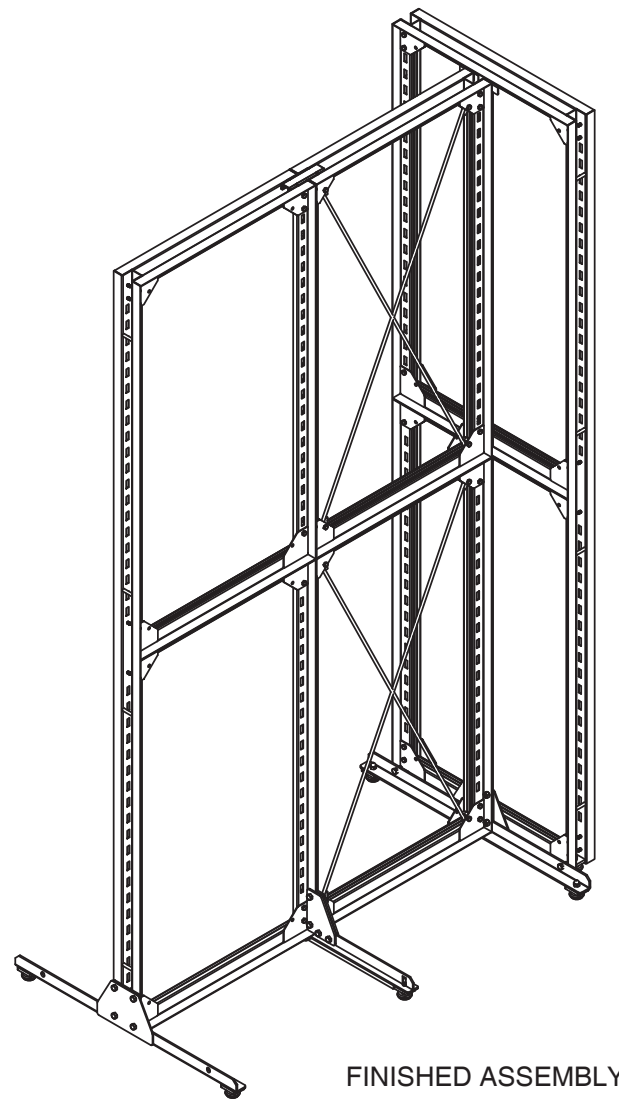
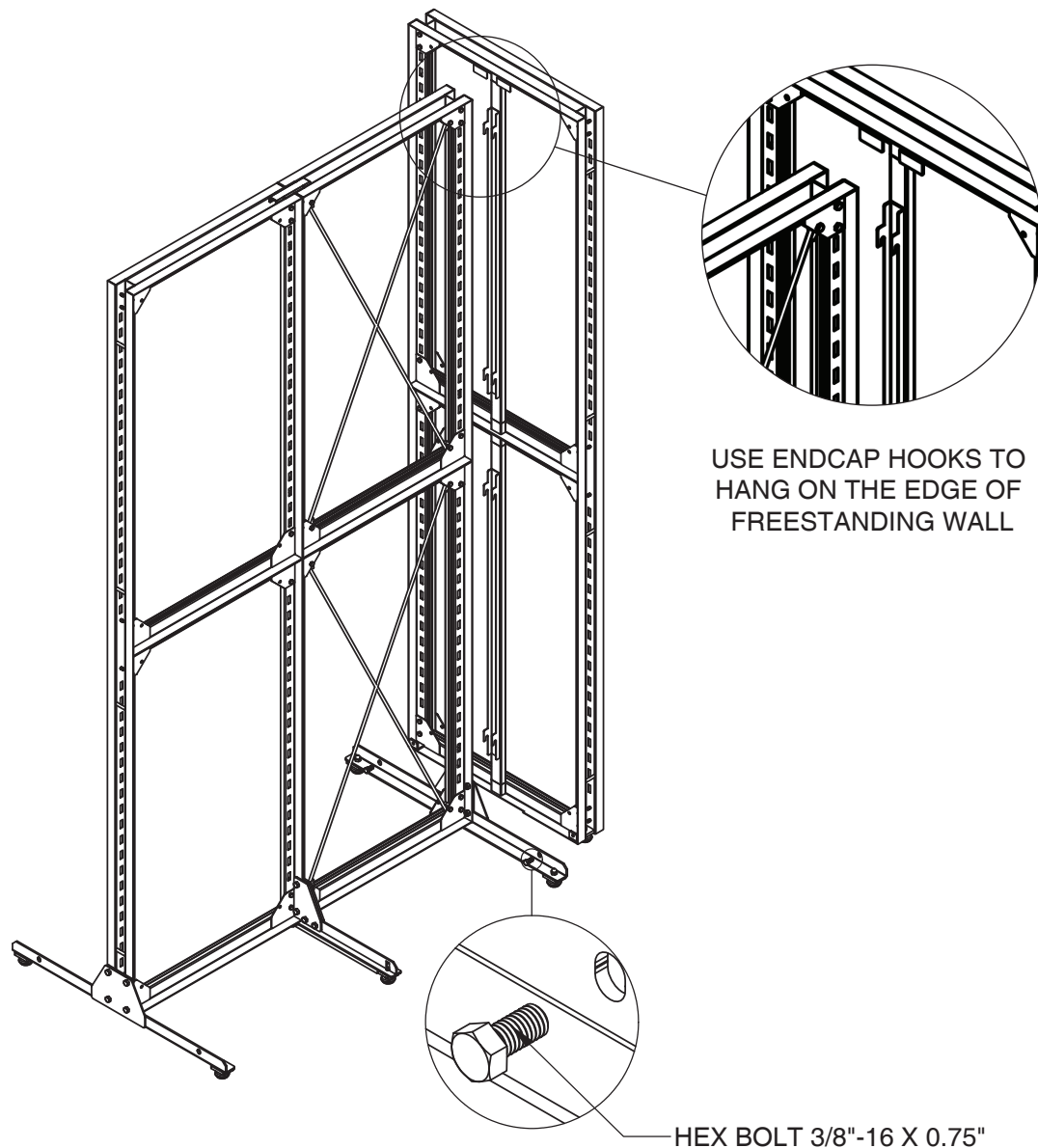
STEP 1: CONNECT TOP RAIL B, CENTER RAIL B & BOTTOM RAIL TO CENTER UPRIGHT



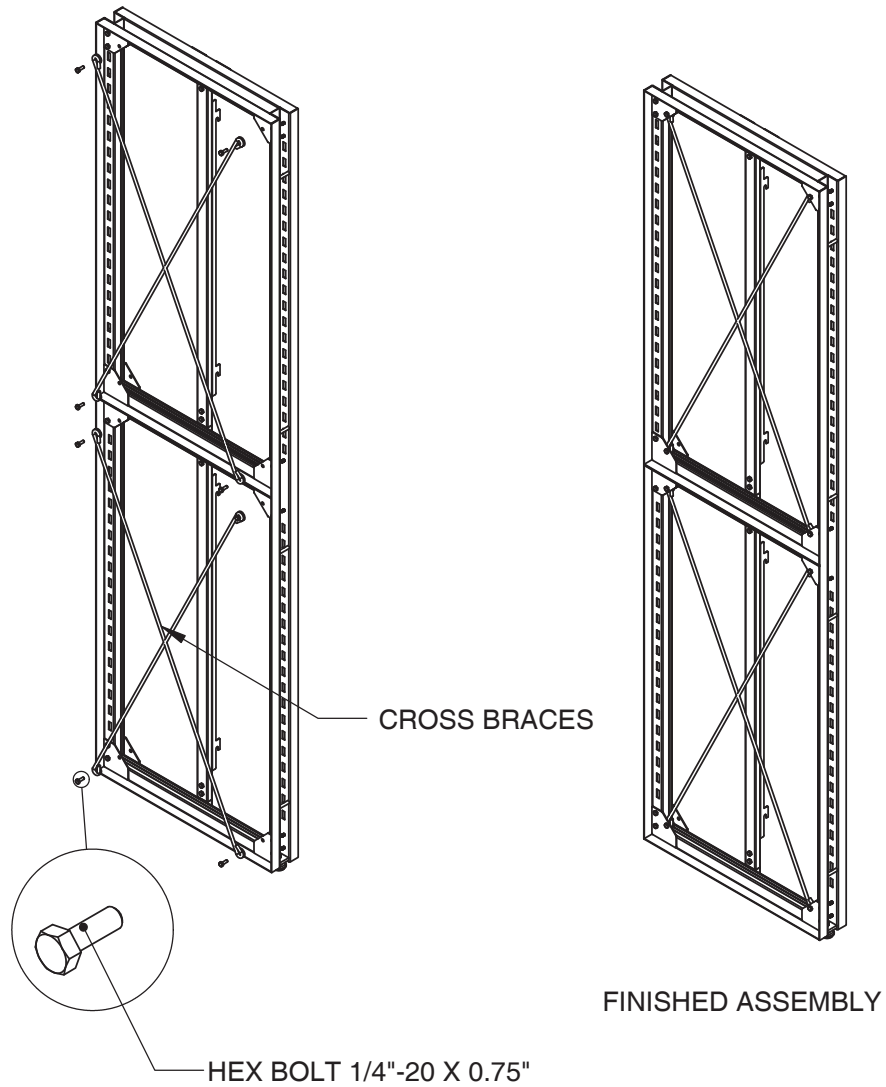
STEP 2: CONNECT CENTER UPRIGHT ASSEMBLY WITH LEFT AND RIGHT UPRIGHTS SECURED BY THE TOP RAIL A AND CENTER RAIL A.



STEP 3:



STEP 4: W/ OPTIONAL CROSS BRACES



STEP 4: W/ OPTIONAL BACK PANELS

