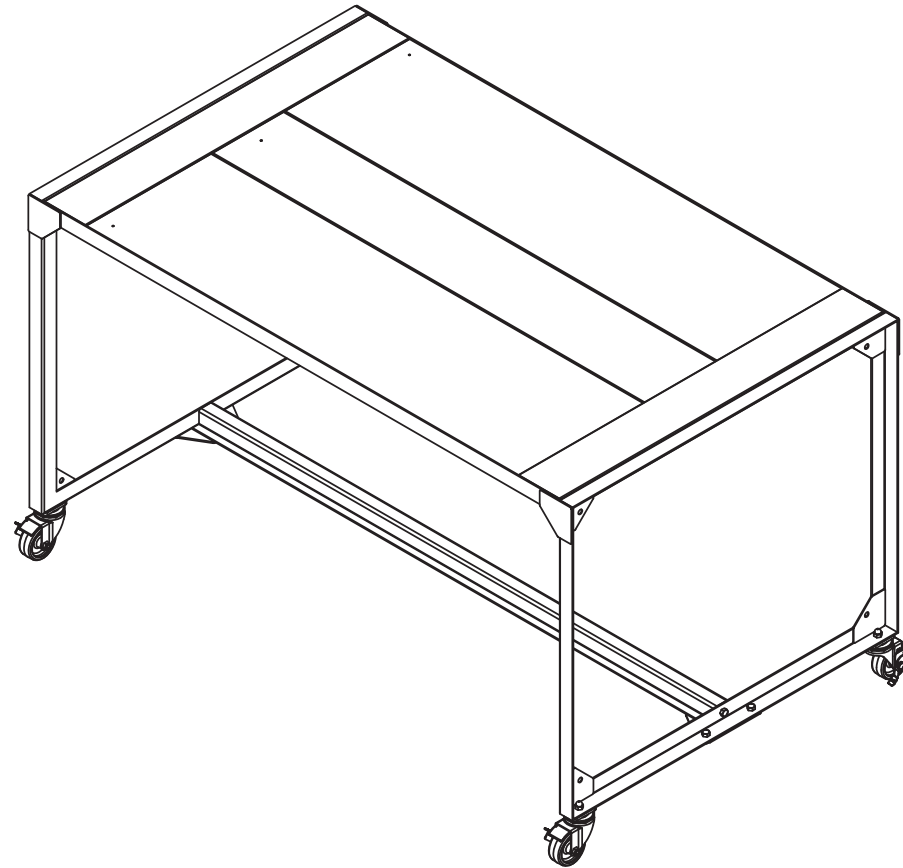
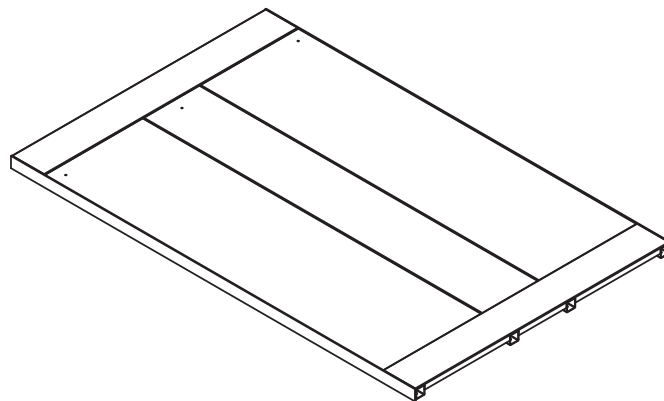


**ASTORIA**  
ASSEMBLY INSTRUCTIONS

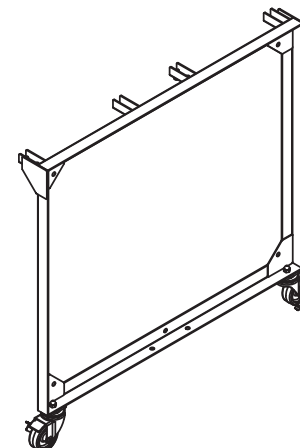
**LARGE TABLE :: 257-FF-LT**



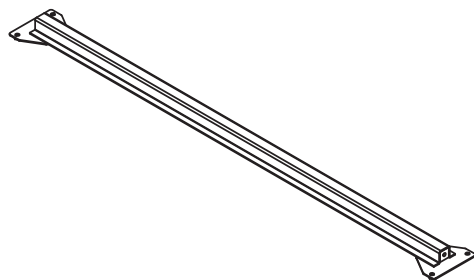
PART LIST:



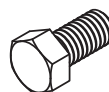
1X. TABLE TOP



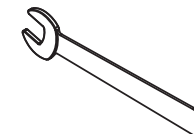
2X. SIDE FRAME



1X. CROSS RAIL

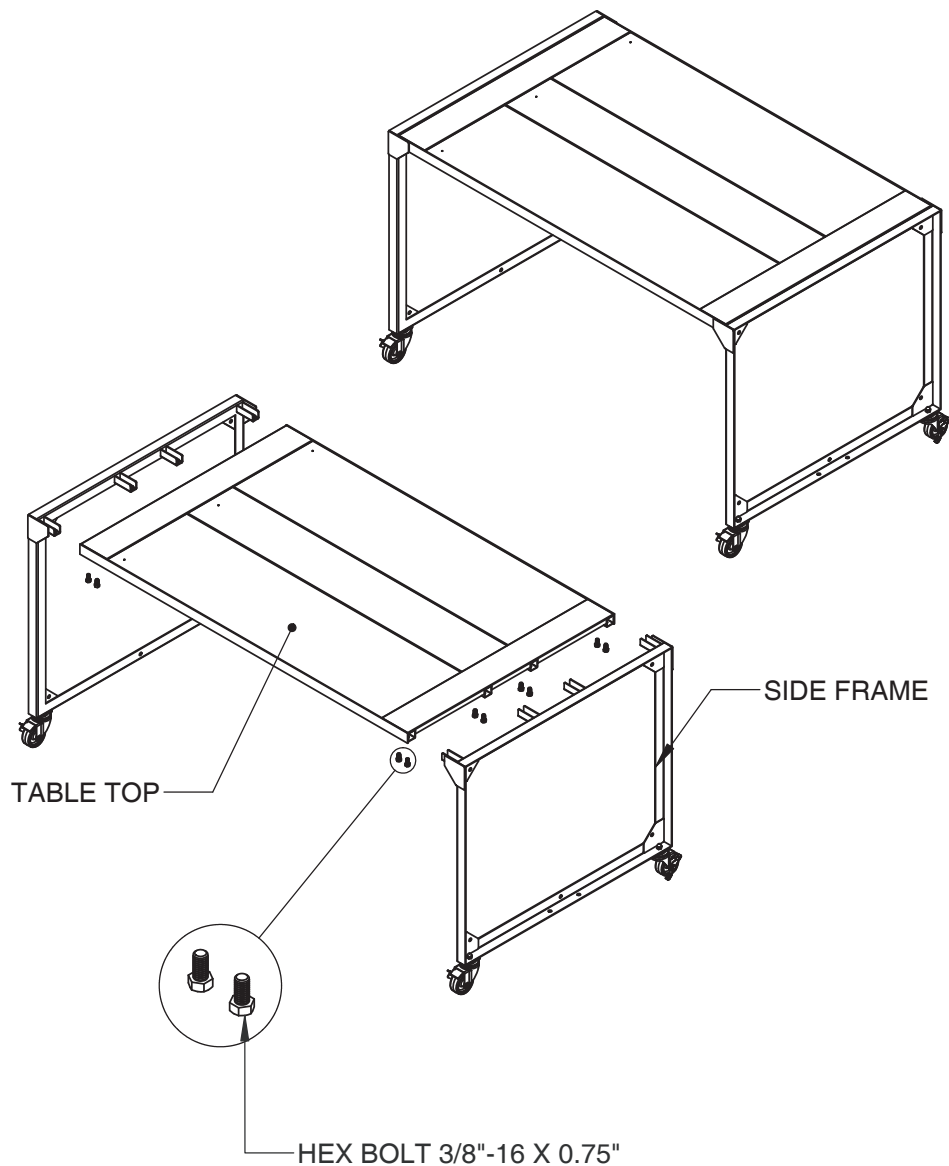


22X. HEX BOLT 3/8"-16 X 0.75"

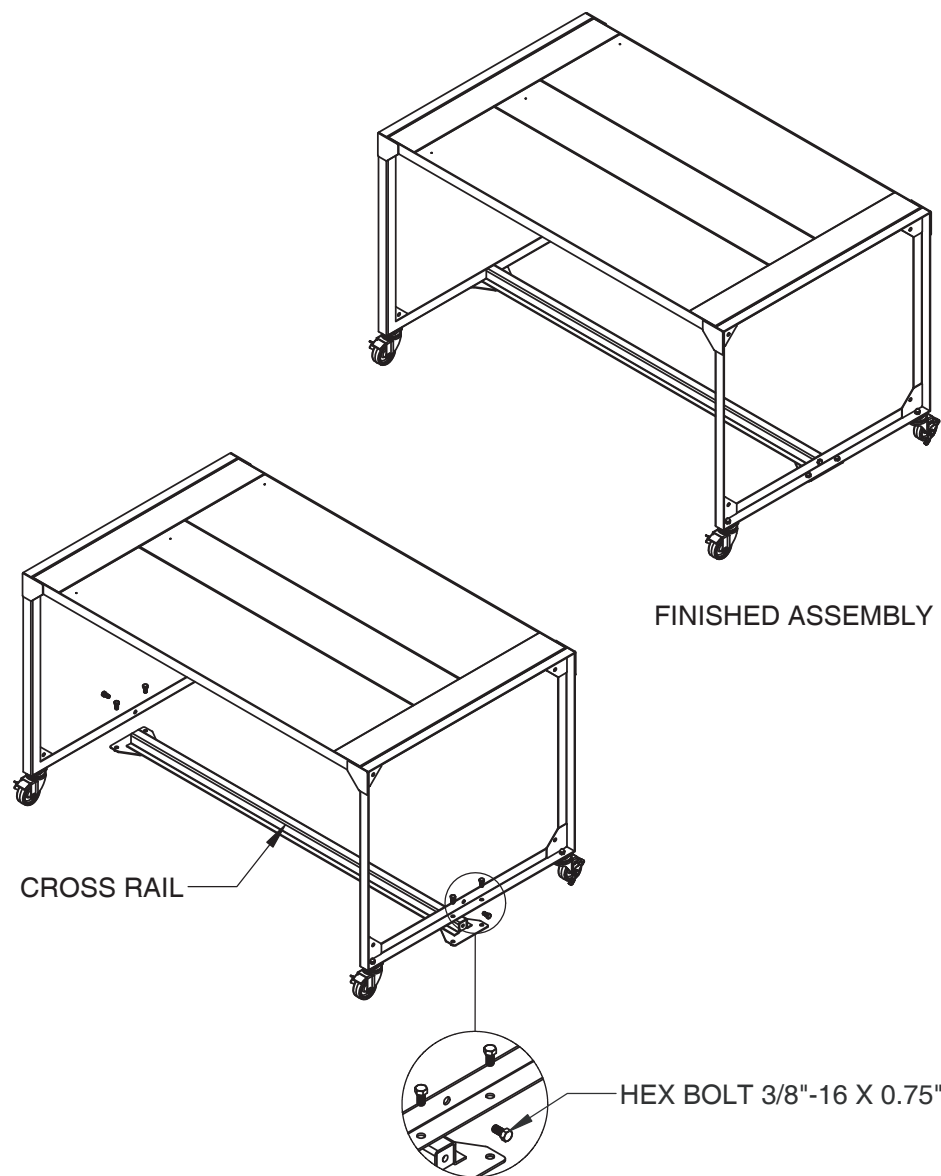


1X. OPEN END WRENCH  
FOR HEX BOLT 3/8"-16 UNC

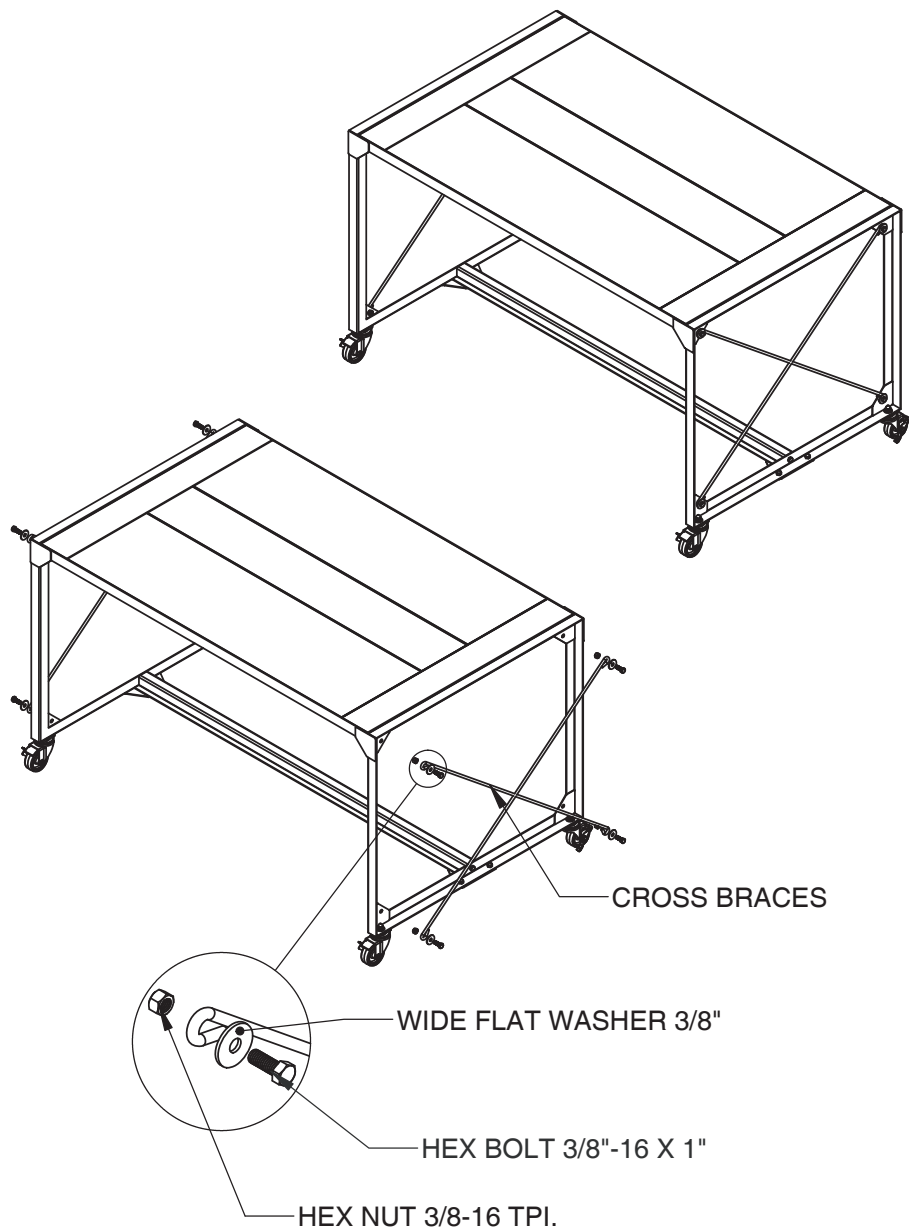
## STEP 1:



## STEP 2:



## STEP 3: W/ OPTIONAL CROSS BRACES



## STEP 4: W/ OPTIONAL WOOD INSERTS

