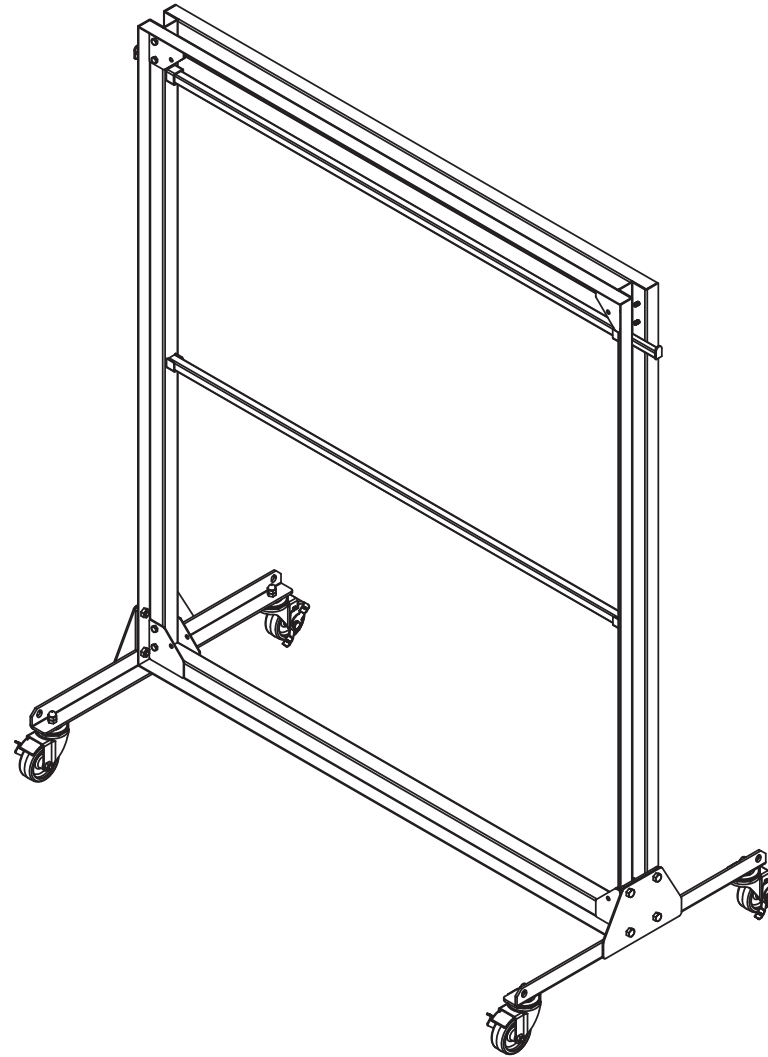


**ASTORIA**  
ASSEMBLY INSTRUCTIONS

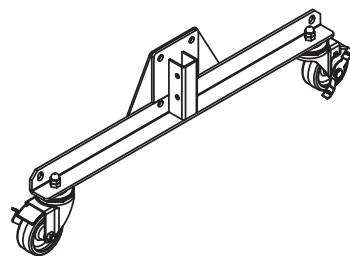
**ROLLING RACK :: 257-FF-RR**



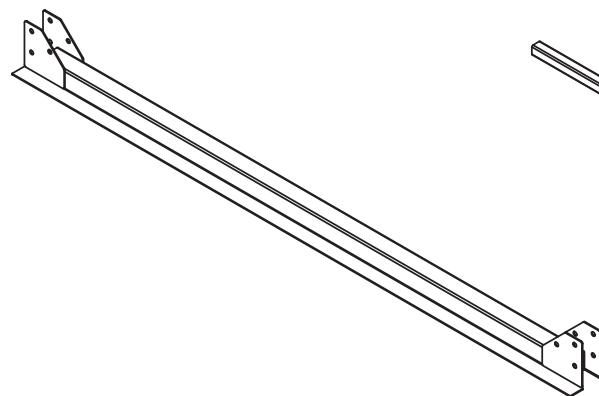
PART LIST:



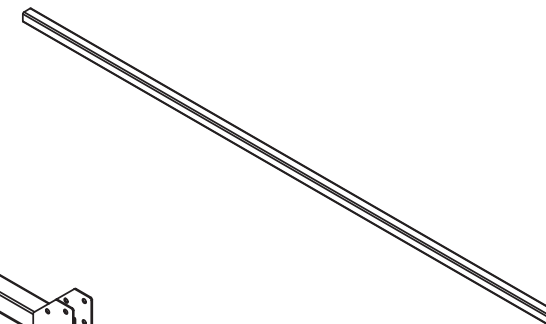
2X. UPRIGHT



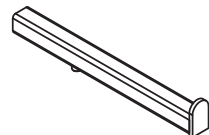
2X. LEG



2X. CROSS RAIL



2X. HANGBAR



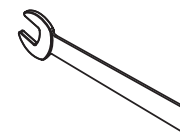
2X. TELESCOPING HANGBAR



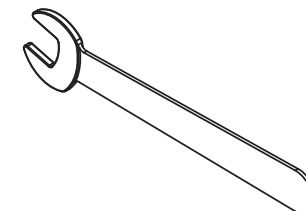
16X. HEX BOLT 1/4"-20 X 0.625"



8X. HEX BOLT 3/8"-16 X 0.75"

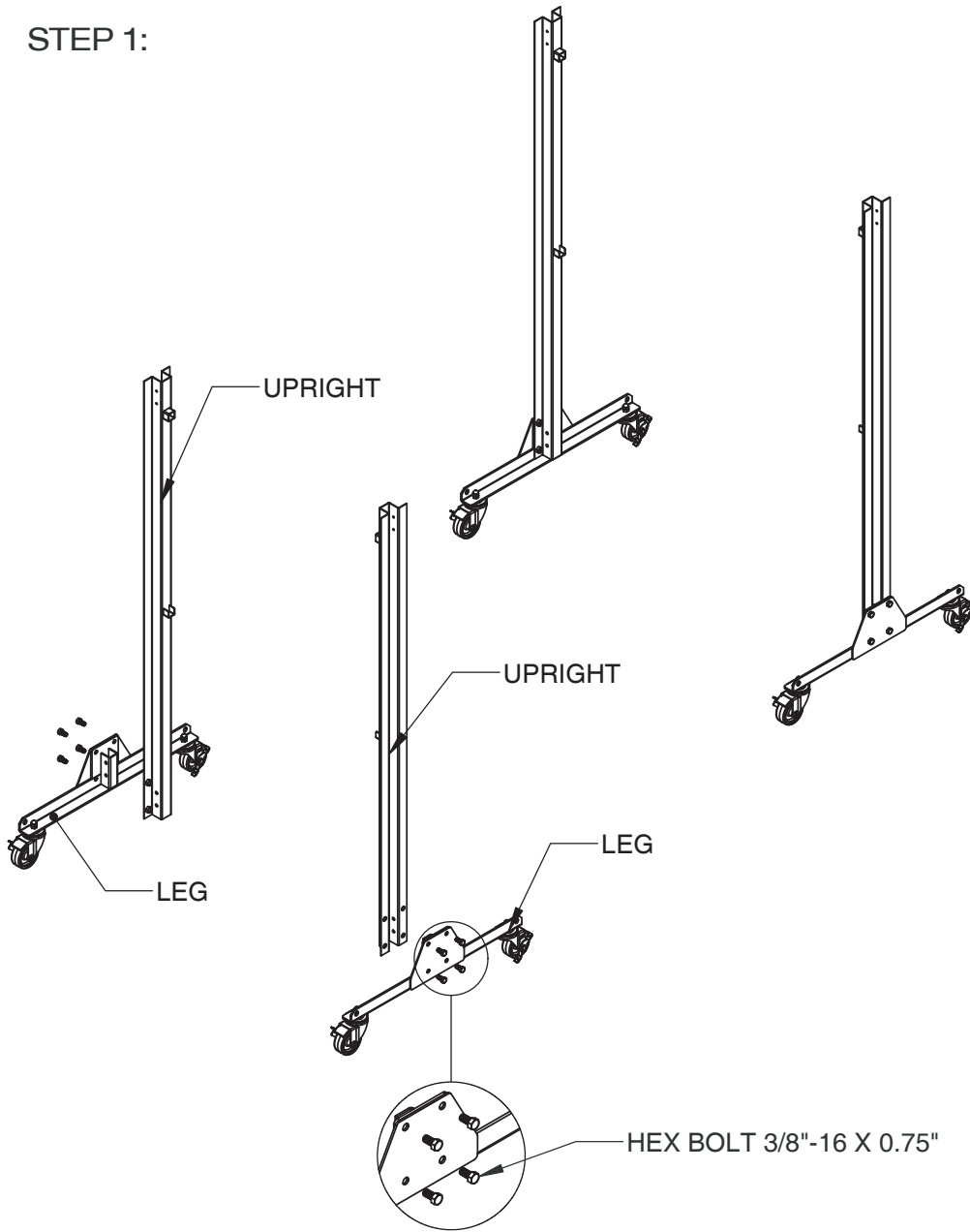


1X. OPEN END WRENCH FOR 1/4"-20

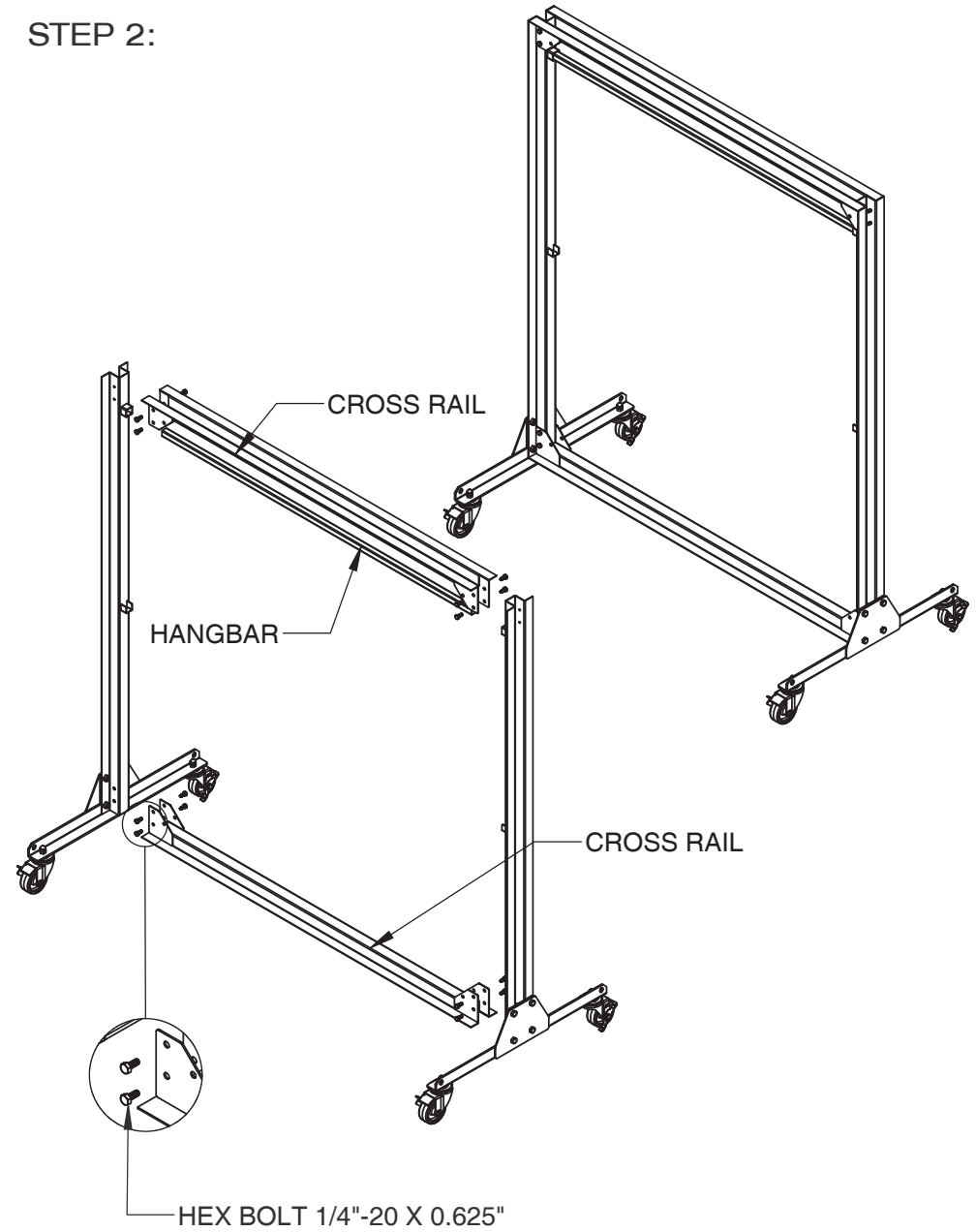


1X. OPEN END WRENCH FOR 3/8"-16

STEP 1:



STEP 2:



STEP 3:

