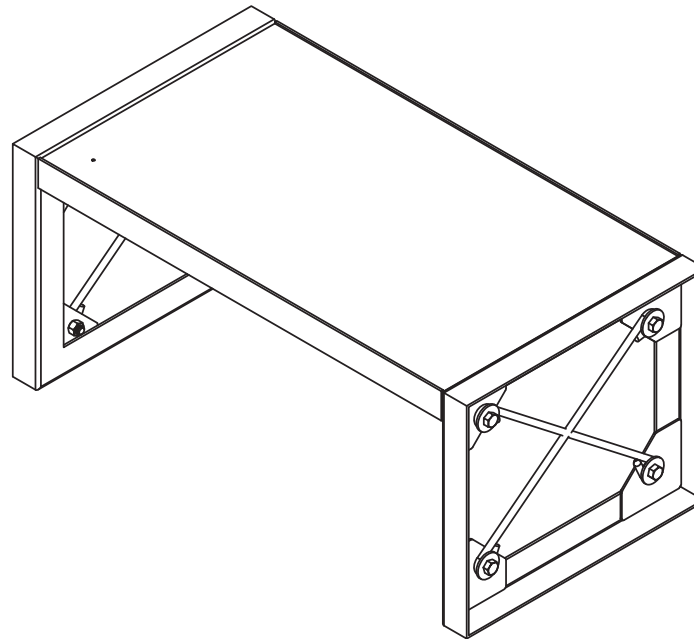
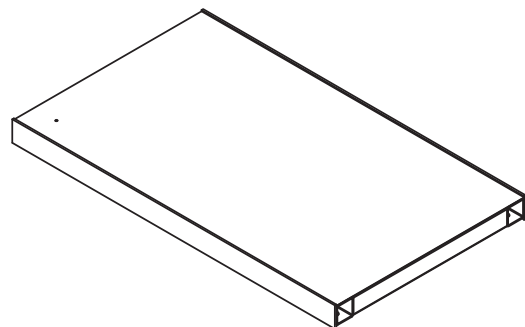


ASTORIA
ASSEMBLY INSTRUCTIONS

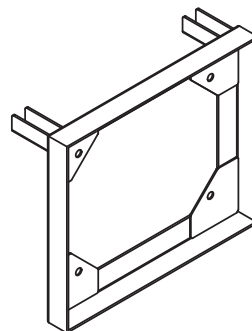
TABLE RISER :: 257-FF-TR



PART LIST:



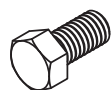
1X. TABLE TOP



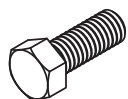
2X. SIDE FRAME



4X. CROSS BRACE



8X. HEX BOLT 3/8"-16 X 0.75"



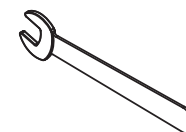
8X. HEX BOLT 3/8"-16 X 1"



8X. WIDE FLAT WASHER FOR 3/8"

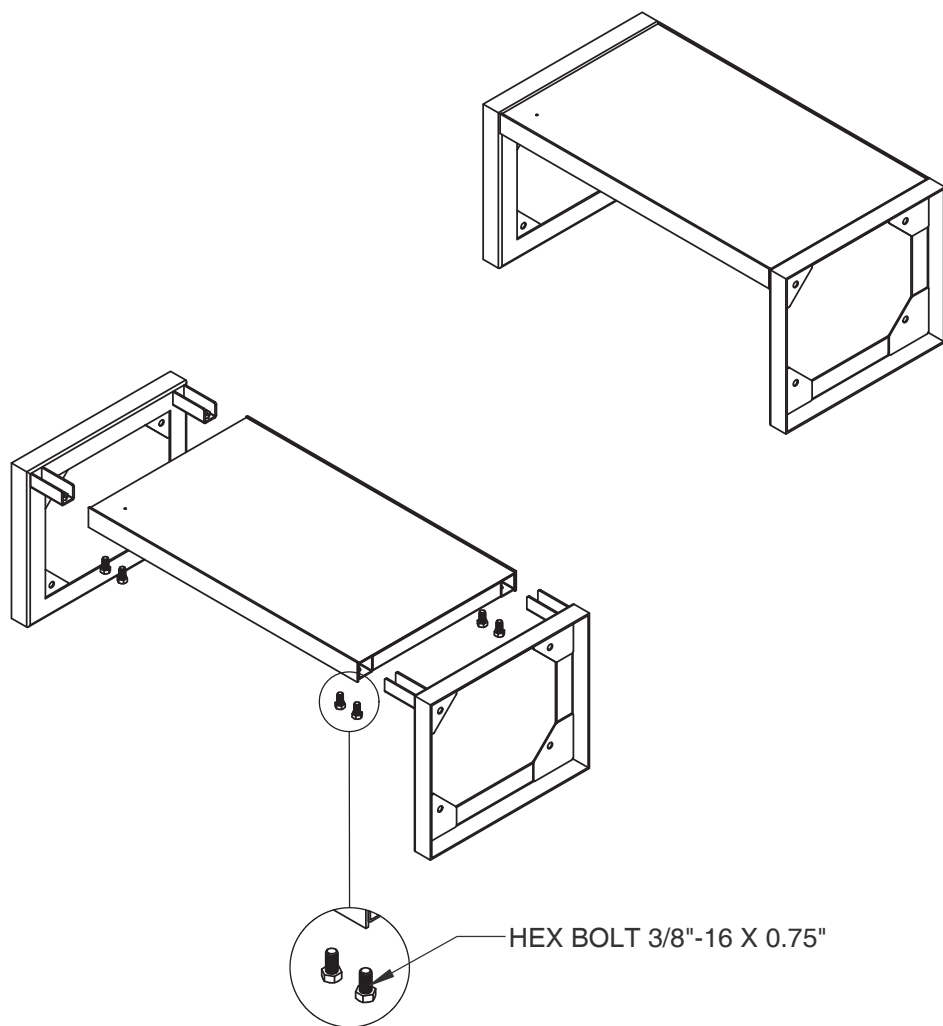


8X. HEX NUT 3/8"-16UNC



1X. OPEN END WRENCH FOR 3/8"-16

STEP 1:



STEP 2:

CROSS BRACES ARE OPTIONAL.

